

Cable junction boxes for "offshore applications"

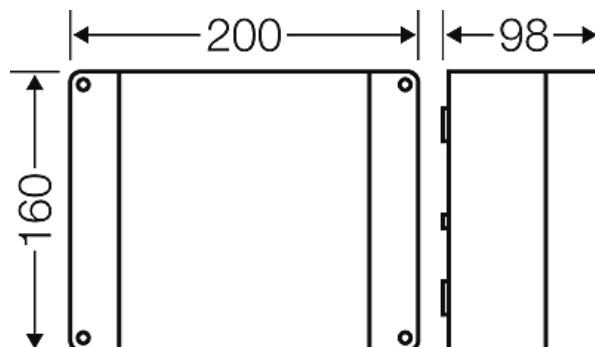


- DISCONTINUED TYPE, replacement type KF 2500 B
- without terminals
- Cable entries via knockouts, order ASS separately (see cable entry systems LES)
- "Offshore applications"
- saltwater-proof
- acid-resistant lid screws made of stainless steel
- burning behaviour 960° C; UL Subject 94: 5 V
- colour: black, RAL 9011

Degree of protection:	IP 66 / IP 67 temporary submersion up to 1 meter, max. 15 minutes
Material:	impact-resistant PC 5 polycarbonate
mounting width	173 mm
mounting height	133 mm
max. installation depth	79 mm
width	200 mm
height:	160 mm
depth	98 mm
Weight	0,604 kg
in accordance with	IEC 60 670-22
in accordance with	Det Norske Veritas Certificate No. E-13277 Germanischer Lloyd Certificate No.: 12 941 - 11 HH Russian Maritime Register of Shipping, technical documentation is approved by the letter No. 250-011-2-39

Drawings

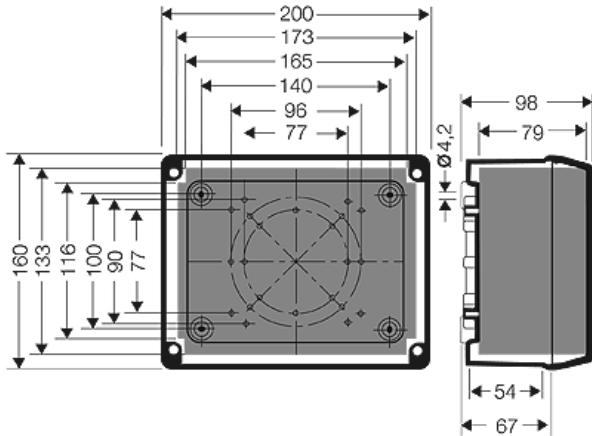
Dimension drawing



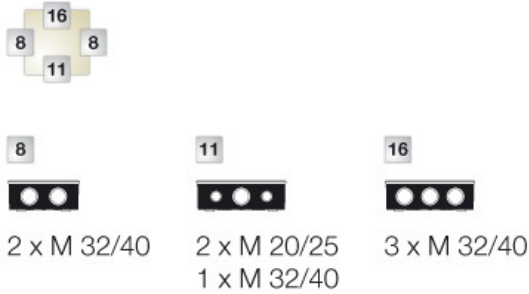
Cable junction boxes for "offshore applications"



Detail mass



Box walls



Operating and ambient conditions

Application area	Suitable for use in offshore areas, for indoor installation (normal environment and /or protected outdoor) and outdoor installation (harsh environment and /or outdoor) To reduce the formation and accumulation of condensed water see technical information.
Resistant to occasional cleaning procedures (direct jet)	Resistant to occasional cleaning procedures (direct jet) with high-pressure cleaner without additives, water pressure: max. 100 bar, water temperature: max. 80° C, distance => 0,15 m, in accordance with the requirements IP 69K, enclosure and cable glands at least IP 65
Ambient temperature	Average value over 24 hours + 55 °C Maximum value + 70 °C Minimum value - 25 °C
Fire protection in the event of internal faults	Demands placed on electrical devices from standards and laws Minimum requirements - Glow wire test in accordance with IEC 60 695-2-11: - 650°C for boxes and cable glands - 850°C for parts of insulating material necessary to retain current carrying parts in position
Burning behaviour	Glow wire test IEC 60 695-2-11: 960 °C UL Subject 94: 5 V flame-retardant self-extinguishing

Cable junction boxes for "offshore applications"



KD 5250










Degree of protection against mechanical load	IK08 (5 Joule)
Toxic behaviour	halogen-free silicone-free "halogen-free" in accordance with the examination of the cables and insulated wires - corrosiveness of fumes - as per IEC 60 754-2
Note:	For material properties see technical data.