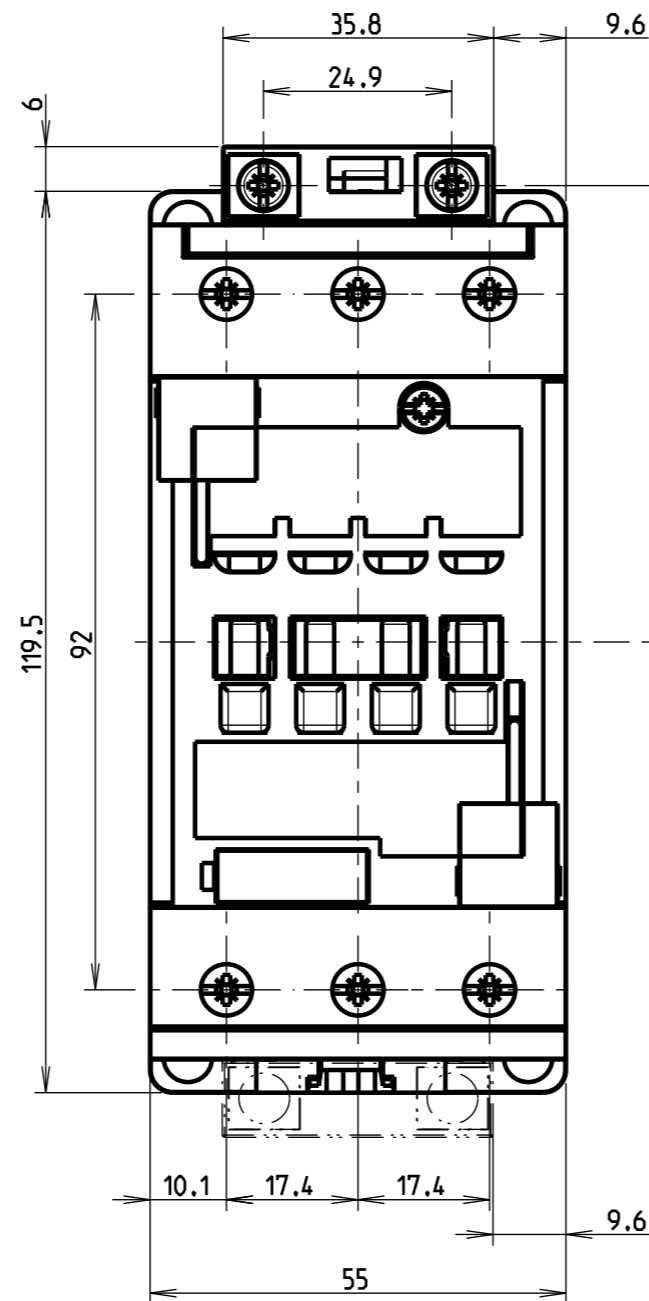
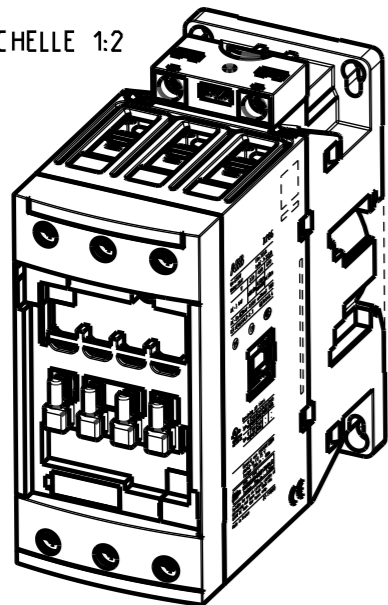
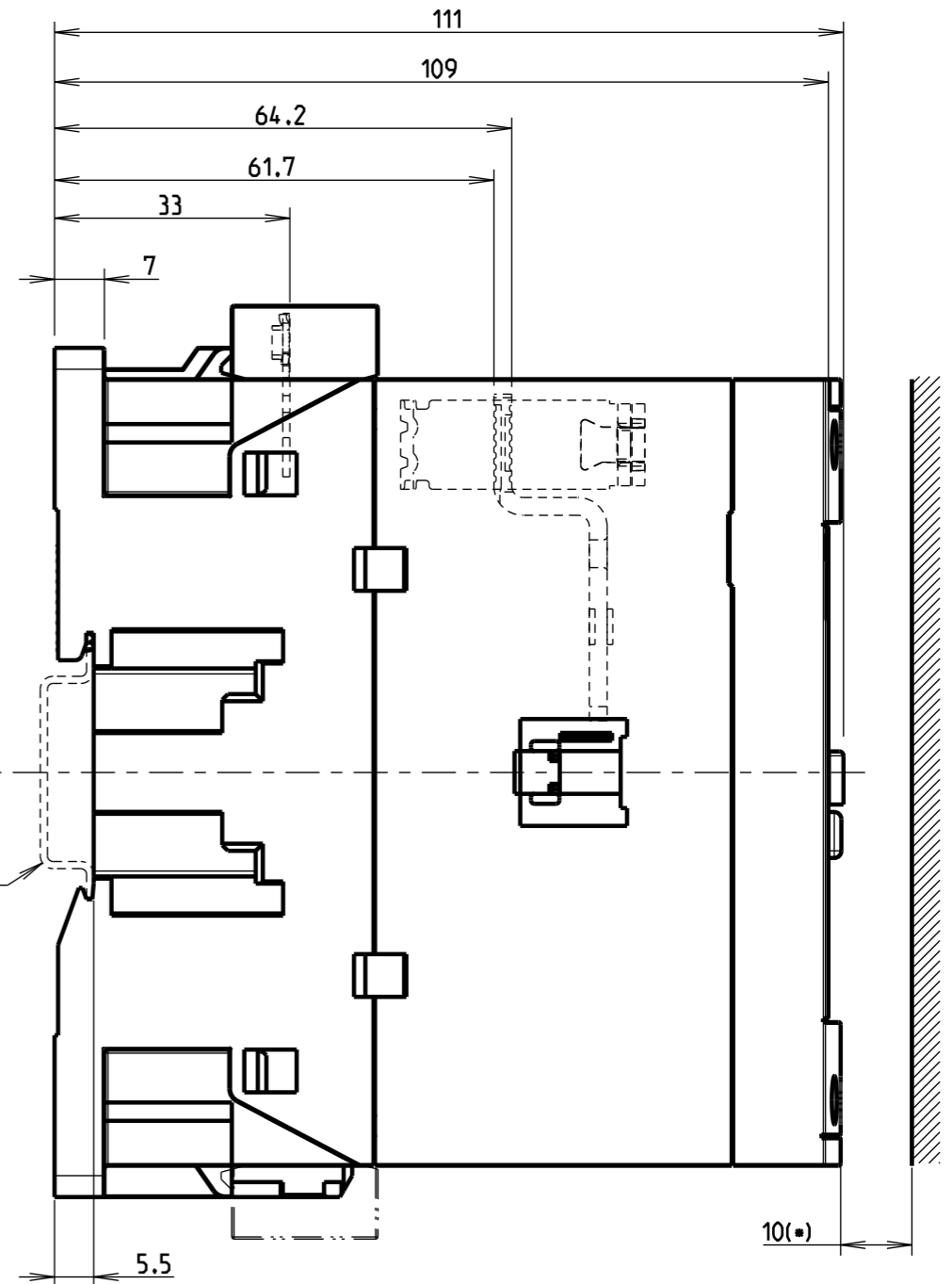


ECHELLE 1:2



35mm EN/IEC 60715



(•) : minimum distance to grounded component

SQR Number: -					
A	Launching AF40..65 3-poles	11/10/2012	ECN501322	Sylvain Coffy	Gérard Valendru
Modif	Description	DATE	N°ECN	Author	Control
ABB		Observations: -		First ECN	Scale
Author	Creation	Control	☞	ECN501322	1:1
Coffy S	11/10/2012	Valendru G			Nb pg
Title : AF40..65 3-poles contactors		Running number		Doc	Size
ENCUMBREMENT / DIMENSIONS+DRILLING		1SBB505096D3501		Type	N°Page
				Rev.1te	A