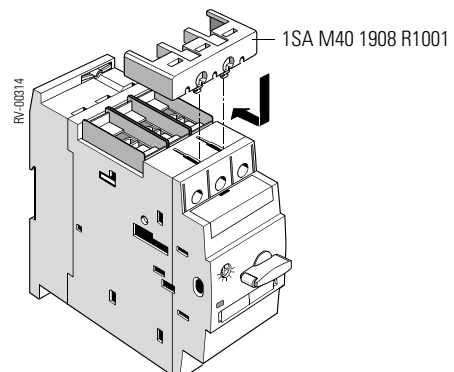
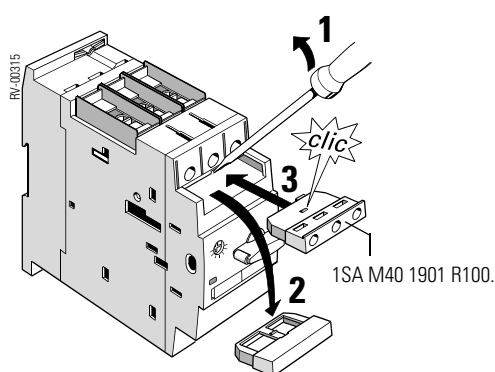
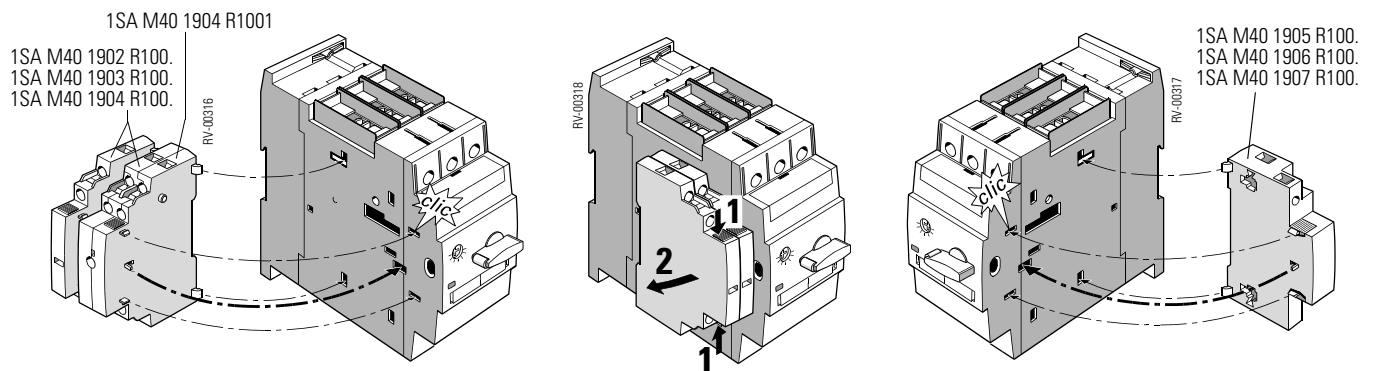
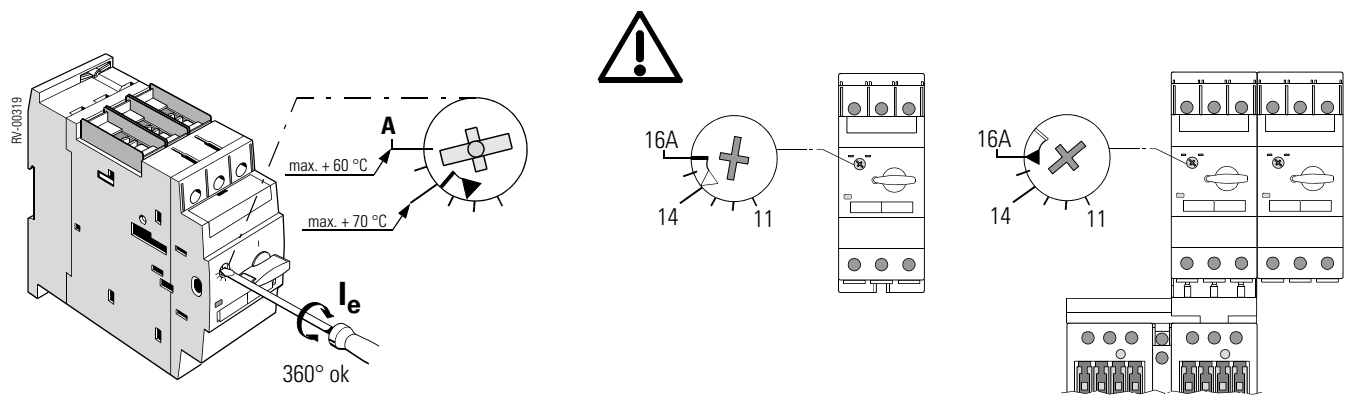
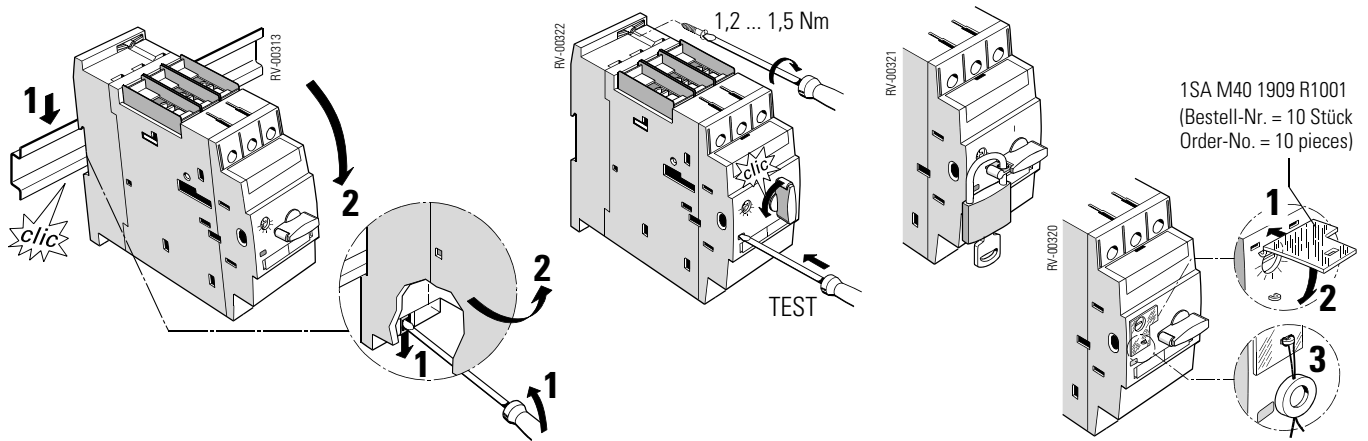
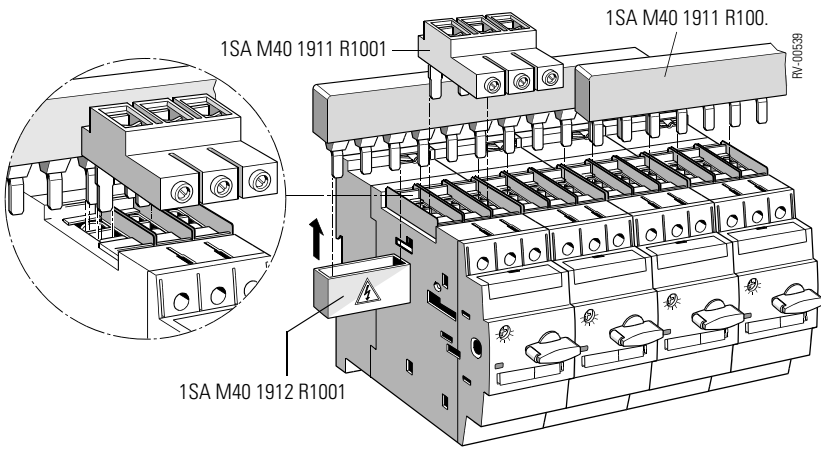


Montageanleitung/Assembly Instructions

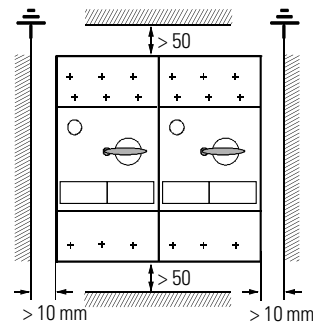
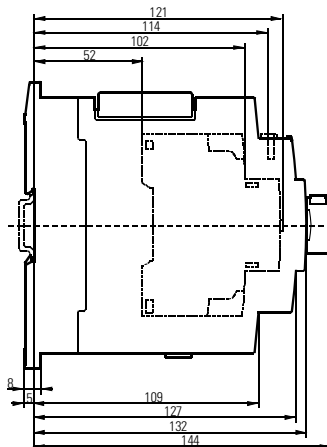
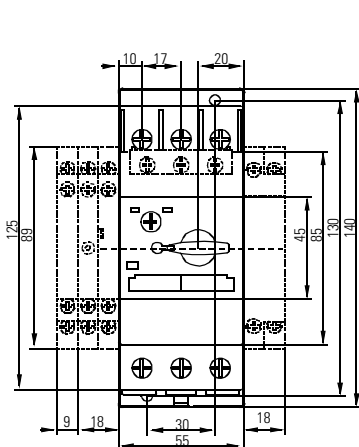
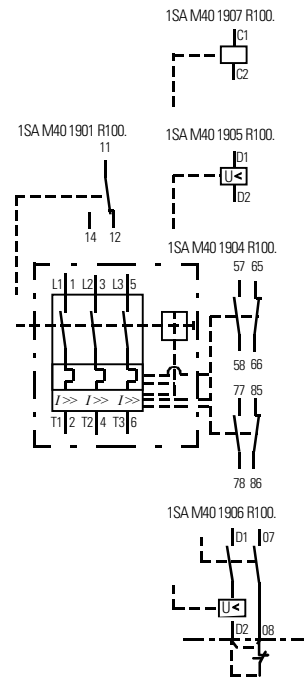
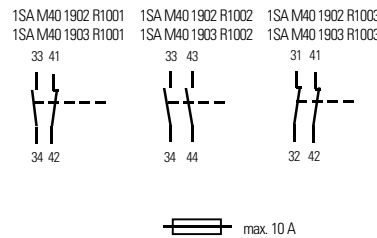
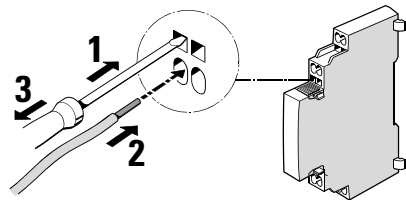
Bestell-Nr./Order No.: 1SA M40 7001 R1001





	D1, D2, C1, C2; NO/NC			L1, L2, L3 T1, T2, T3	
	1SA M40 190. R100.	1SA M40 1903 R100.			
$\varnothing 5 \dots 6 \text{ mm} / \text{PZ2}$	0,8 ... 1,2 Nm 7 to 10.3 LB.IN	----	$\varnothing 5 \dots 6 \text{ mm} / \text{PZ2}$	3 ... 4,5 Nm 27 to 40 LB.IN	
	2 x 0,5 ... 1,5 mm ² 2 x 0,75 ... 2,5 mm ²	2 x 0,5 ... 2,5 mm ²		2 x 0,75 ... 16 mm ²	
	2 x 0,5 ... 2,5 mm ²	2 x 0,5 ... 1,5 mm ²		2 x 0,75 ... 16 mm ² 1 x 0,75 ... 25 mm ²	
----	----	----		2 x 0,75 ... 25 mm ² 1 x 0,75 ... 35 mm ²	
AWG	2 x 18 to 14	2 x 18 to 14	AWG	2 x 18 to 3 1 x 18 to 2	

1SA M40 1903 R100.



Self-Protected
Combination
Controller Type E

~~1SA M40 1911 R1001~~
~~1SA M40 1911 R100.~~
~~1SA M40 1901 R100.~~