

DBL400 distribution terminal blocks

Single pole - 46 mm 1.81 in spacing



DBL400

Description

- Save installation time with our modular solutions,
- Ease the installation with plate or rail mounting options on our modular blocks.

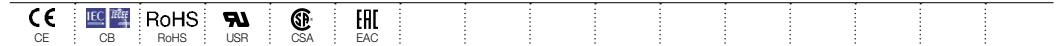
Ordering details

Description	Color	Type	Order code	Pkg qty	Weight (1 pce) g
Feed-through Single pole distribution, 12 connections	Grey	DBL400	1SNL340010R0000	1	410

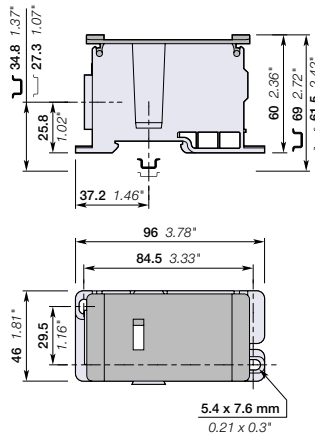
Main technical data

Connecting capacity	IEC		UL	Connection type	Cross section	
	Copper	Aluminium				
Max current / Max cross section	400 A / 185 mm ²	300 A / 185 mm ²	335 A / 400 Kcmil	1 x Ø 18.8 mm	95 ... 150 mm ²	95 ... 185 mm ²
Rated voltage	1000 V AC / 1500 V DC		1000 V	2 x Ø 8.7 mm	2.5 ... 25 mm ²	2.5 ... 35 mm ²
Rated impulse voltage				5 x Ø 6.4 mm	14 ... 4 AWG	14 ... 2 AWG
Short-time withstand current (I _{ctw} 1s)	21000 A			4 x Ø 5.7 mm	2.5 ... 16 mm ²	2.5 ... 16 mm ²
Short Circuit Current Rating (SCCR)			100 kA		14 ... 6 AWG	14 ... 6 AWG
Rated peak withstand current (I _{pk})	51 kA				2.5 ... 10 mm ²	2.5 ... 10 mm ²
Protection	IP10		NEMA 1		14 ... 8 AWG	14 ... 8 AWG

The connecting capacity data for one Rigid - Solid / Stranded - Flexible conductor (when applicable) is a mandatory information required by IEC, UL and CSA standards (Copper conductors). All other data are provided as supplementary information only. For more details, please consult our CB, UL or CSA certificates and technical datasheet available on <http://www.ABB.com>



Mounting instructions



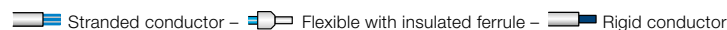
46 mm 1.81 in spacing

Tool	Diameter of cable Ø	Wire stripping length	Recommended torque
Allen key	8 mm 0.31 in	28 mm 1.10 in	25 Nm 221 lb.in
Flat screwdriver	5.5 mm 0.22 in	11 mm 0.43 in	3.5 ... 5 Nm 31 ... 44 lb.in
Flat screwdriver	4 mm 0.16 in	11 mm 0.43 in	2 ... 3 Nm 18 ... 26.5 lb.in
Flat screwdriver	4 mm 0.16 in	5.7 mm 0.22 in	2 ... 3 Nm 18 ... 26.5 lb.in

Accessories

Description	Color	Type	Order code	Pkg qty	Weight (1 pce) g
1 End stops	Grey	BAM2	1SNA206351R1600	50	12.00
		BADL	1SNA399903R0200	50	4.70
		BADH	1SNA116900R2700	50	20.00
2 Terminal block markers	White	MC512PA	1SNK149002R0000	1	10.00
		MC512	1SNK140000R0000	22	9.00

Complete list of accessories is indicated in the terminal block datasheet including end stops. Some accessories such as jumper bars may modify the terminal block's ratings: Complete information available in the accessories section of the catalog.



All the technical data for UL/CSA standard and dimensions in inches are in *italics*.