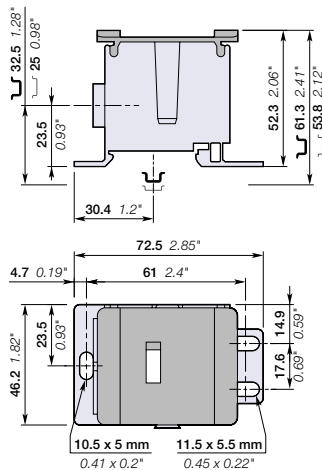


DBL175 distribution terminal blocks

Single pole - 46.2 mm 1.81 in spacing



DBL175



46.2 mm 1.81 in spacing

Description

- Save installation time with our modular solutions,
- Ease the installation with plate or rail mounting options on our modular blocks,
- Thanks to the two inputs, easily increase the number of outputs using jumper, or increase the current rating with two wires, 300 A with 50 mm² wires and 350 A with 2/0 AWG wires.

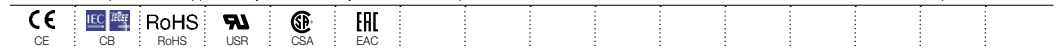
Ordering details

Description	Color	Type	Order code	Pkg qty	Weight (1 pce) g
Feed-through Single pole distribution, 12 connections	Grey <input type="checkbox"/>	DBL175	1SNL317510R0000	1	200

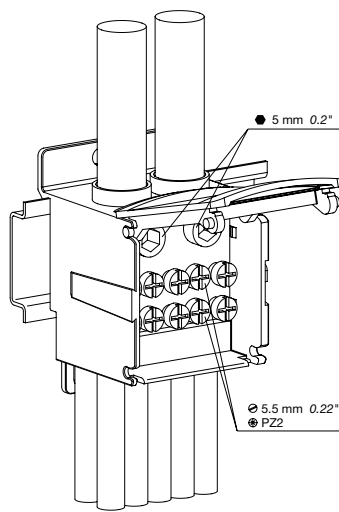
Main technical data

Connecting capacity	IEC		UL	Connection type	Cross section	
	Copper	Aluminium				
Max current / Max cross section	175 A / 70 mm ²	135 A / 70 mm ²	175 A / 2/0 AWG	2 x Ø 11.8 mm	10 ... 50 mm ²	10 ... 70 mm ²
Rated voltage	1000 V AC / 1500 V DC		1000 V	10 x Ø 6.4 mm	2.5 ... 16 mm ²	2.5 ... 16 mm ²
Rated impulse voltage					14 ... 6 AWG	14 ... 6 AWG
Short-time withstand current (I _{ctw} 1s)	11000 A					
Short Circuit Current Rating (SCCR)			100 kA			
Rated peak withstand current (I _{pk})	30 kA					
Protection	IP10		NEMA 1			

The connecting capacity data for one Rigid - Solid / Stranded - Flexible conductor (when applicable) is a mandatory information required by IEC, UL and CSA standards (Copper conductors). All other data are provided as supplementary information only. For more details, please consult our CB, UL or CSA certificates and technical datasheet available on <http://www.ABB.com>



Mounting instructions



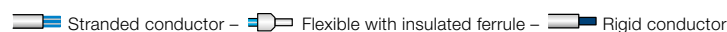
Rail	TH 35-7.5, TH 35-15		
Tool	Diameter of cable Ø	Wire stripping length	Recommended torque
Allen key			
5 mm 0.20 in	11.8 mm 0.46 in	15 mm 0.708 in	6... 10 Nm 53... 88 lb.in
Posidriv - flat screwdriver			
5.5 mm 0.22 in	6.4 mm 0.25 in	11 mm 0.43 in	2... 3 Nm 18... 26.5 lb.in



Accessories

Description	Color	Type	Order code	Pkg qty	Weight (1 pce) g
1 End stops	Grey <input type="checkbox"/>	BAM2	1SNA206351R1600	50	12.00
		BADL	1SNA399903R0200	50	4.70
		BADH	1SNA116900R2700	50	20.00
2 Terminal block markers	White <input type="checkbox"/>	MC512PA	1SNK149002R0000	1	10.00
		MC512	1SNK140000R0000	22	9.00

Complete list of accessories is indicated in the terminal block datasheet including end stops. Some accessories such as jumper bars may modify the terminal block's ratings: Complete information available in the accessories section of the catalog.



All the technical data for UL/CSA standard and dimensions in inches are in *italics*.