

# DBL160 distribution terminal blocks

## Single pole - 28.2 mm 1.11 in spacing



DBL160

### Description

- Save installation time with our modular solutions,
- Ease the installation with plate or rail mounting options on our modular blocks,
- Easily increase the number of outputs using jumpers.

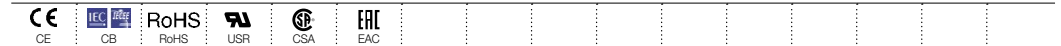
### Ordering details

Description	Color	Type	Order code	Pkg qty	Weight (1 pce)
Feed-through Single pole distribution, 8 connections	Grey	DBL160	1SNL316010R0000	1	120

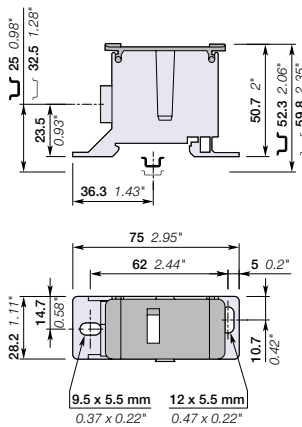
### Main technical data

Connecting capacity	IEC	UL	Connection type	Cross section
Max current / Max cross section	Copper 160 A / 70 mm <sup>2</sup> Aluminium 135 A / 70 mm <sup>2</sup>	160 A / 2/0 AWG	1 x Ø 11.8 mm	16 ... 50 mm <sup>2</sup> 16 ... 2/0 AWG
Rated voltage	1000 V AC / 1500 V DC	1000 V	1 x Ø 6.8 mm	2.5 ... 16 mm <sup>2</sup> 14 ... 6 AWG
Rated impulse voltage			6 x Ø 6.4 mm	2.5 ... 16 mm <sup>2</sup> 14 ... 6 AWG
Short-time withstand current (I <sub>sw</sub> 1s)	11000 A			
Short Circuit Current Rating (SCCR)		100 kA		
Rated peak withstand current (I <sub>pk</sub> )	30 kA			
Protection	IP10	NEMA 1		

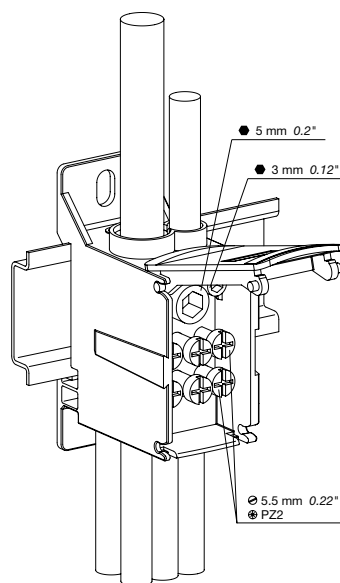
The connecting capacity data for one Rigid - Solid / Stranded - Flexible conductor (when applicable) is a mandatory information required by IEC, UL and CSA standards (Copper conductors). All other data are provided as supplementary information only. For more details, please consult our CB, UL or CSA certificates and technical datasheet available on <http://www.ABB.com>



### Mounting instructions



28.2 mm 1.11 in spacing



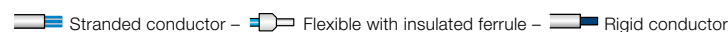
Rail	TH 35-7.5, TH 35-15			
Tool	Diameter of cable Ø	Wire stripping length	Recommended torque	
Allen key	5 mm 0.20 in	11.8 mm 0.46 in	18 mm 0.708 in	6... 10 Nm 53... 88 lb.in
Allen key	3 mm 0.12 in	6.8 mm 0.27 in	11 mm 0.43 in	2... 3 Nm 18... 26.5 lb.in
Posidriv - flat screwdriver	5.5 mm 0.22 in	6.4 mm 0.25 in	11 mm 0.43 in	2... 3 Nm 18... 26.5 lb.in

### Accessories

Description	Color	Type	Order code	Pkg qty	Weight (1 pce)
1 End stops	Grey	BAM2	1SNA206351R1600	50	12.00
		BADL	1SNA399903R0200	50	4.70
		BADH	1SNA116900R2700	50	20.00
2 Terminal block markers	White	MC512PA	1SNK149002R0000	1	10.00
		MC512	1SNK140000R0000	22	9.00

Complete list of accessories is indicated in the terminal block datasheet including end stops.

Some accessories such as jumper bars may modify the terminal block's ratings: Complete information available in the accessories section of the catalog.



All the technical data for UL/CSA standard and dimensions in inches are in italic.