


Cable junction boxes "Outdoor - harsh environment and (or) outdoor"







**KF 9255**

- 10-25 mm<sup>2</sup>, Cu 3~

IP  
66

PC

RAL  
7032

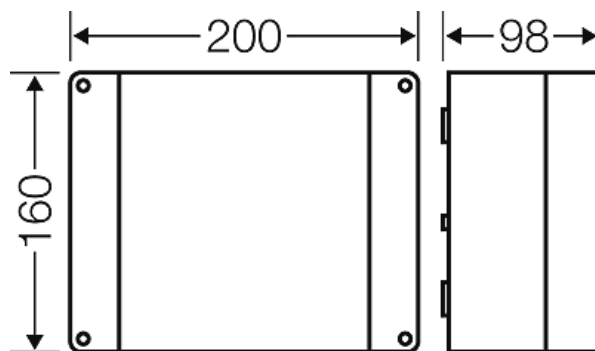





- with terminals
- 5-pole per pole 6 x 10 mm<sup>2</sup> sol, 4 x 16 mm<sup>2</sup> s, 4 x 25 mm<sup>2</sup> s, 2 x 35 mm<sup>2</sup> s
- cable entry via knockouts, order ASM separately (refer to index cable entry systems)
- "Outdoor - harsh environment and (or) outdoor"
- colour: grey, RAL 7032

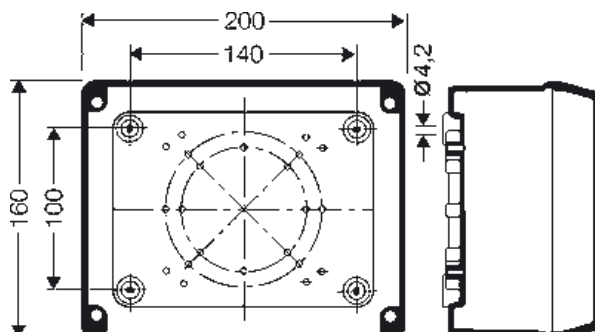
|                                |   |
|--------------------------------|---|
| rated insulation voltage       | AC/DC 690 V   |
| current carrying capacity      | 102 A   |
| tightening torque for terminal | 3,0 Nm  |
| Degree of protection:          | IP 66   |
| Material:                      | PC-GFS (polycarbonate)  |
| width                          | 200 mm  |
| height:                        | 160 mm  |
| depth                          | 98 mm   |
| Weight                         | 0,825 kg  |
| in accordance with             | IEC 60 670-22   |
| in accordance with             | Det Norske Veritas Certificate No.: E-9149<br>Germanischer Lloyd Certificate No.: 12 941 - 11 HH<br>Russian Maritime Register of Shipping, technical documentation is approved by the letter No. 250-011-2-39 |

Drawings


Dimension drawing



Detail mass



Cable junction boxes "Outdoor - harsh environment and (or) outdoor"




**KF 9255**

- 10-25 mm<sup>2</sup>, Cu 3~


IP  
66

PC




RAL  
7032

VDE



GL





box walls

8



2 x M 32/40

11



2 x M 20/25  
1 x M 32/40

16



3 x M 32/40

**Operating and ambient conditions**

|  |   |
|--|---|
| Application area   | Suitable for outdoor installation (harsh environment and/or outdoor).<br>To reduce the formation and accumulation of condensed water see technical information.   |
| Resistant to occasional cleaning procedures (direct jet) | Resistant to occasional cleaning procedures (direct jet) with high-pressure cleaner without additives, water pressure: max. 100 bar, water temperature: max. 80° C, distance => 0,15 m, in accordance with the requirements IP 69K, enclosure and cable glands at least IP 65 |
| Ambient temperature                                      | Average value over 24 hours + 55 °C<br>Maximum value + 70 °C<br>Minimum value - 25 °C   |
| Relative humidity  | 50% at 40° C<br>short-time<br>100% at 25° C   |
| Fire protection in the event of internal faults          | Demands placed on electrical devices from standards and laws<br>Minimum requirements - Glow wire test in accordance with IEC 60 695-2-11: - 650°C for boxes and cable glands - 850°C for parts of insulating material necessary to retain current carrying parts in position  |
| Burning behaviour  | Glow wire test IEC 60 695-2-11: 960 °C<br>UL Subject 94: V-0<br>flame resistant<br>self-extinguishing   |
| Degree of protection against mechanical load             | IK08 (5 Joule)  |
| Toxic behaviour  | halogen-free<br>silicone-free<br>"halogen-free" in accordance with the examination of the cables and insulated wires - corrosiveness of fumes - as per IEC 754-2  |
| Note:  | For material properties see technical data.   |