

Cable junction boxes "Outdoor - harsh environment and (or) outdoor"

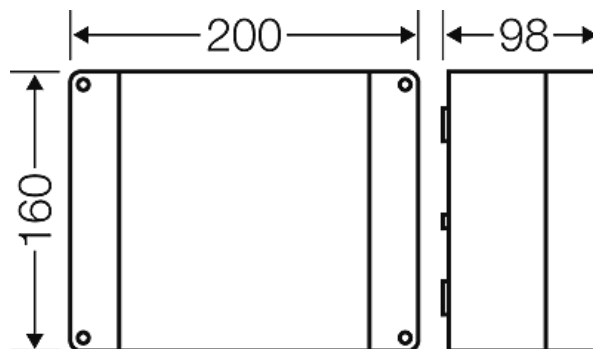


- without terminals
- cable entry via knockouts, order ASM separately (refer to index cable entry systems)
- "Outdoor - harsh environment and (or) outdoor"
- colour: grey, RAL 7032

|                         |   |
|-------------------------|---|
| Degree of protection:   | IP 66   |
| Material:               | PC-GFS (polycarbonate)  |
| mounting width          | 173 mm  |
| mounting height         | 133 mm  |
| max. installation depth | 79 mm   |
| width                   | 200 mm  |
| height:                 | 160 mm  |
| depth                   | 98 mm   |
| Weight                  | 0,507 kg  |
| in accordance with      | IEC 60 670-22   |
| in accordance with      | Det Norske Veritas Certificate No.: E-9149<br>Germanischer Lloyd Certificate No.: 12 941 - 11 HH<br>Russian Maritime Register of Shipping, technical documentation is approved by the letter No. 250-011-2-39 |

Drawings

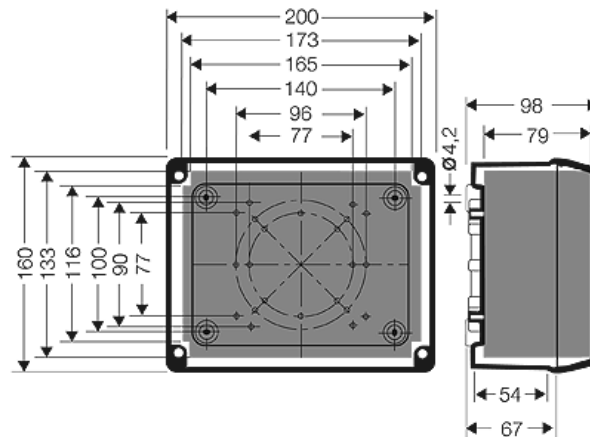
Dimension drawing



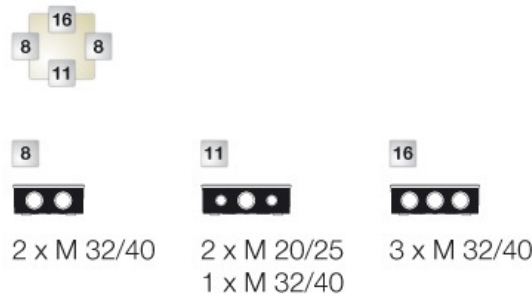
Cable junction boxes "Outdoor - harsh environment and (or) outdoor"



Detail mass



box walls



**Operating and ambient conditions**

|  |   |
|--|---|
| Application area   | Suitable for outdoor installation (harsh environment and/or outdoor).<br>To reduce the formation and accumulation of condensed water see technical information.   |
| Resistant to occasional cleaning procedures (direct jet) | Resistant to occasional cleaning procedures (direct jet) with high-pressure cleaner without additives, water pressure: max. 100 bar, water temperature: max. 80° C, distance => 0,15 m, in accordance with the requirements IP 69K, enclosure and cable glands at least IP 65 |
| Ambient temperature                                      | Average value over 24 hours + 55 °C<br>Maximum value + 70 °C<br>Minimum value - 25 °C   |
| Fire protection in the event of internal faults          | Demands placed on electrical devices from standards and laws<br>Minimum requirements - Glow wire test in accordance with IEC 60 695-2-11: - 650°C for boxes and cable glands - 850°C for parts of insulating material necessary to retain current carrying parts in position  |
| Burning behaviour  | Glow wire test IEC 60 695-2-11: 960 °C<br>UL Subject 94: V-0<br>flame resistant<br>self-extinguishing   |

Cable junction boxes "Outdoor - harsh environment and (or) outdoor"

|   |                |   |   |   |   |   |
|---|----------------|---|---|---|---|---|
|  | <p>KF 9250</p> |  |  |  |  |  |
|---|----------------|---|---|---|---|---|

Degree of protection against mechanical load

IK08 (5 Joule)

Toxic behaviour

halogen-free  
silicone-free  
"halogen-free" in accordance with the examination of the cables and insulated wires - corrosiveness of fumes - as per IEC 754-2

Note:

For material properties see technical data.