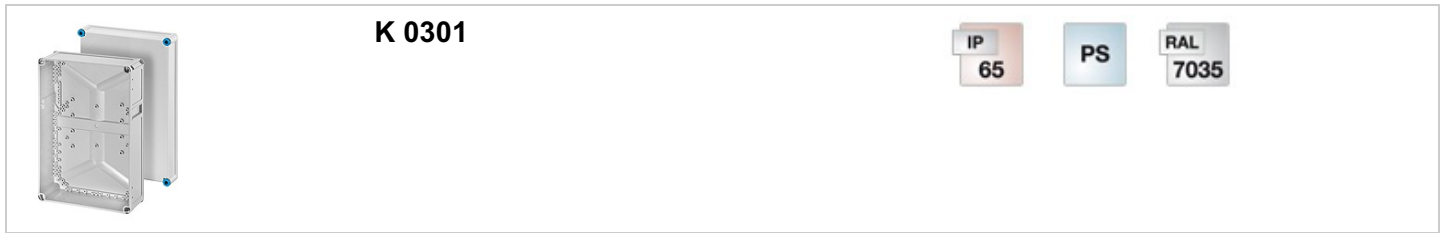


Cable junction boxes for harsh environment and outdoor with box walls without cable entries



K 0301

IP 65

PS

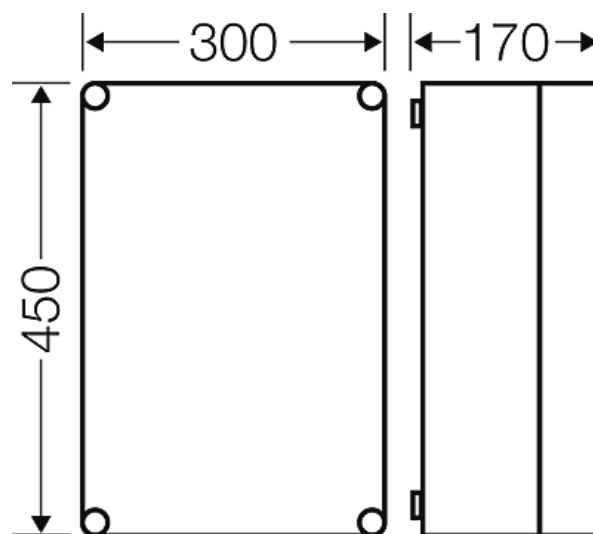
RAL 7035

- with opaque lid
- lid fasteners for tool operation
- box walls without knockouts
- please order DIN rails or mounting plates additionally
- for normal environment and protected outdoor
- colour: grey, RAL 7035

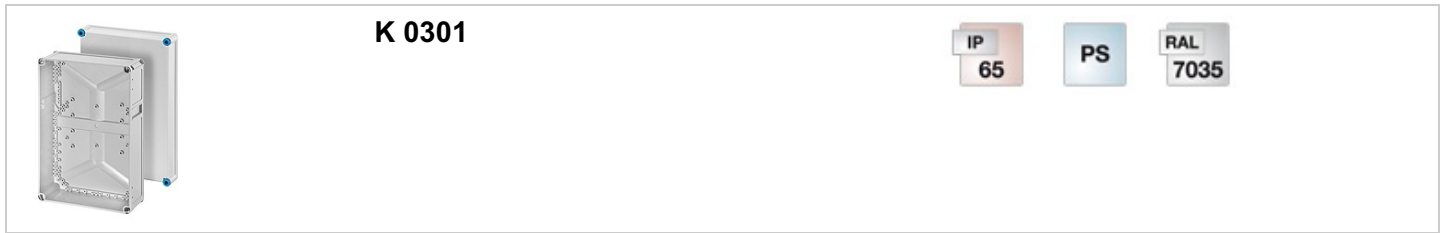
rated current:	for electrical devices up to 63 A
wall thickness of the bottom part	3,5 mm
Degree of protection:	IP 65
Material:	PS polystyrene thermoplastic
mounting width	275 mm
mounting height	425 mm
max. installation depth	with built-in mounting plate 146 mm
max. installation depth	with built-in DIN rail 135 mm
width	300 mm
height:	450 mm
depth	170 mm
Weight	2,444 kg

Drawings

Dimension drawing



Cable junction boxes for harsh environment and outdoor with box walls without cable entries



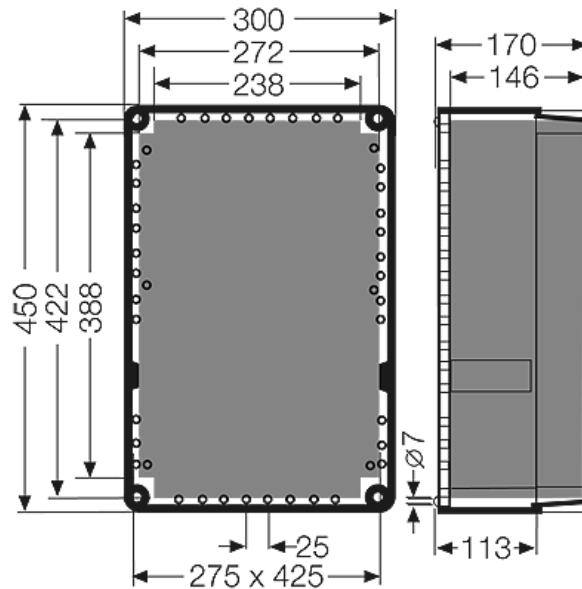
K 0301

IP 65

PS

RAL 7035

Detail mass



Operating and ambient conditions

Application area	Suitable for indoor installation and outdoor installation, protected against weather influences
Ambient temperature	Maximum value + 40 °C Minimum value - 25 °C
Fire protection in the event of internal faults	Demands placed on electrical devices from standards and laws Minimum requirements - Glow wire test in accordance with IEC 60 695-2-11: - 650°C for boxes and cable glands - 850°C for parts of insulating material necessary to retain current carrying parts in position
Burning behaviour	Glow wire test IEC 60 695-2-11: 750 °C UL Subject 94: V-2 flame resistant self-extinguishing
Degree of protection against mechanical load	IK07 (2 Joule)
Toxic behaviour	halogen-free silicone-free "halogen-free" in accordance with the examination of the cables and insulated wires - corrosiveness of fumes - as per IEC 754-2
Note:	For material properties see technical data.