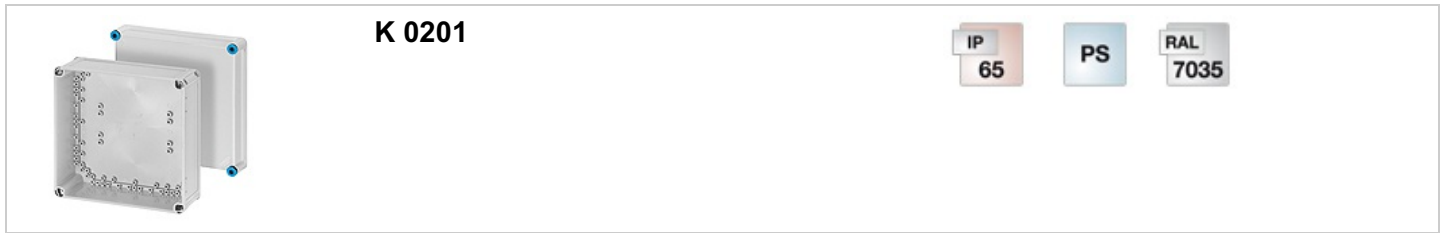


Cable junction boxes for harsh environment and outdoor with box walls without cable entries



K 0201

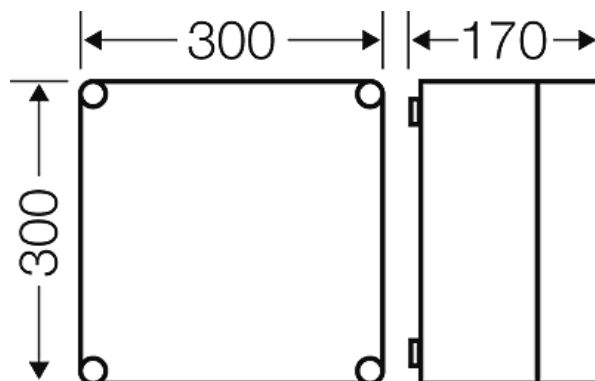


- with opaque lid
- lid fasteners for tool operation
- box walls without knockouts
- please order DIN rails or mounting plates additionally
- for normal environment and protected outdoor
- colour: grey, RAL 7035

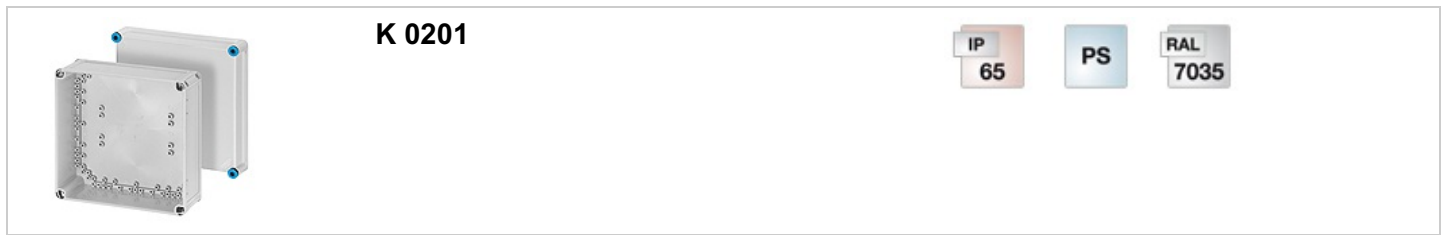
rated current:	for electrical devices up to 63 A
wall thickness of the bottom part	3,5 mm
Degree of protection:	IP 65
Material:	PS polystyrene thermoplastic
mounting width	275 mm
mounting height	275 mm
max. installation depth	with built-in mounting plate 146 mm
max. installation depth	with built-in DIN rail 135 mm
width	300 mm
height:	300 mm
depth	170 mm
Weight	1,771 kg

Drawings

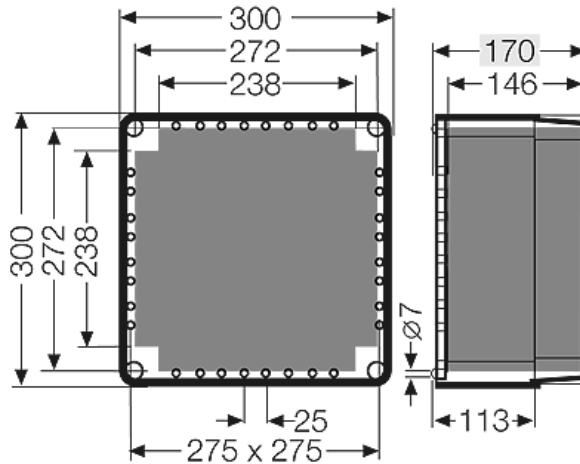
Dimension drawing



Cable junction boxes for harsh environment and outdoor with box walls without cable entries



Detail mass



Operating and ambient conditions

Application area	Suitable for indoor installation and outdoor installation, protected against weather influences
Ambient temperature	Maximum value + 40 °C Minimum value - 25 °C
Fire protection in the event of internal faults	Demands placed on electrical devices from standards and laws Minimum requirements - Glow wire test in accordance with IEC 60 695-2-11: - 650°C for boxes and cable glands - 850°C for parts of insulating material necessary to retain current carrying parts in position
Burning behaviour	Glow wire test IEC 60 695-2-11: 750 °C UL Subject 94: V-2 flame resistant self-extinguishing
Degree of protection against mechanical load	IK07 (2 Joule)
Toxic behaviour	halogen-free silicone-free "halogen-free" in accordance with the examination of the cables and insulated wires - corrosiveness of fumes - as per IEC 754-2
Note:	For material properties see technical data.