


Cable junction boxes for normal environment and protected outdoor



**KF 9501**

- 1.5-50 mm<sup>2</sup>, Cu/Alu 3~

IP  
65

PC

RAL  
7032

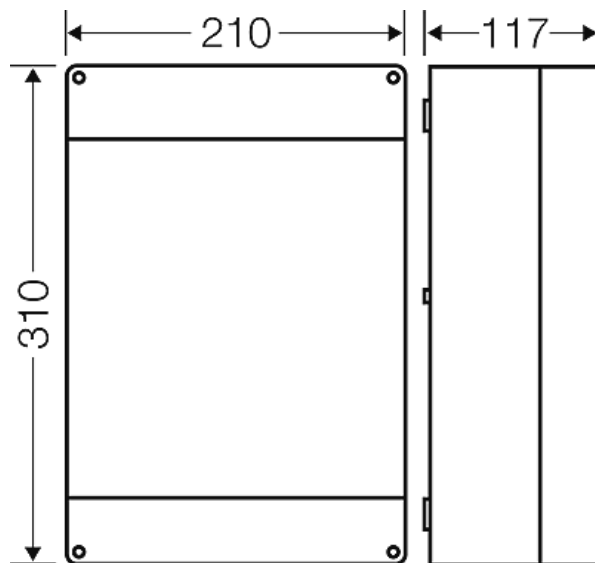
12  
17 Wall 17  
12

- with connecting terminal
- 5-pole per pole 2 x 1 x 1.5-50 mm<sup>2</sup>, conductors are inserted into the screw-type terminal, terminal technology, see annex DK Cable junction boxes
- included cable entry: 2 EDK 40, sealing range Ø 11-30 mm
- Reference to the preparation of aluminum conductors: 1. Clean the bared conductor end carefully by scraping off the oxide film, for example with a knife, (Please do not use rasps, emery paper or brushes!). 2. Immediately after removing the oxide film the conductor end is to rub in with acid and alkali free fat for example vaseline, and immediately to be connected in the terminal. 3. The prementioned processing steps are to be repeated, if the conductor was disconnected and connected again. 4. Due to the disposition to flowing of aluminum the terminals are to be re-tightened before start-up and after the first 200 operation hours.
- for normal environment and protected outdoor
- colour: grey, RAL 7032


|                                |   |
|--------------------------------|---|
| rated insulation voltage       | AC/DC 690 V   |
| current carrying capacity      | 150 A   |
| tightening torque for terminal | 1.5 Nm 1.5-2.5 mm <sup>2</sup><br>5.0 Nm 4-10 mm <sup>2</sup> |
| Degree of protection:          | IP 66   |
| Material:                      | PC-GFS (polycarbonate)  |
| width                          | 210 mm  |
| height:                        | 310 mm  |
| depth                          | 117 mm  |
| Weight                         | 1,516 kg  |

Drawings

Dimension drawing



Cable junction boxes for normal environment and protected outdoor



**KF 9501**

- 1.5-50 mm<sup>2</sup>, Cu/Alu 3~

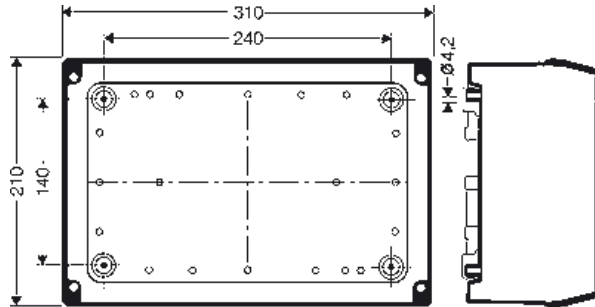
IP  
65

PC

RAL  
7032

12  
Wall  
17

Detail mass



box walls



1 x M 20/25  
1 x M 25/32  
1 x M 40/50





4 x M 25/32  
1 x M 40/50

**Operating and ambient conditions**

|  |   |
|--|---|
| Application area   | Suitable for for outdoor installation (harsh environment and/or outdoor).<br>To reduce the formation and accumulation of condensed water see technical information.   |
| Resistant to occasional cleaning procedures (direct jet) | Resistant to occasional cleaning procedures (direct jet) with high-pressure cleaner without additives, water pressure: max. 100 bar, water temperature: max. 80° C, distance => 0,15 m, in accordance with the requirements IP 69K, enclosure and cable glands at least IP 65 |
| Ambient temperature                                      | Average value over 24 hours + 55 °C<br>Maximum value + 70 °C<br>Minimum value - 25 °C   |
| Relative humidity  | 50% at 40° C<br>short-time<br>100% at 25° C   |
| Fire protection in the event of internal faults          | Demands placed on electrical devices from standards and laws<br>Minimum requirements - Glow wire test in accordance with IEC 60 695-2-11: - 650°C for boxes and cable glands - 850°C for parts of insulating material necessary to retain current carrying parts in position  |
| Burning behaviour  | Glow wire test IEC 60 695-2-11: 960 °C<br>UL Subject 94: V-0<br>flame resistant<br>self-extinguishing   |
| Degree of protection against mechanical load             | IK08 (5 Joule)  |

Cable junction boxes for normal environment and protected outdoor

|   |  |   |   |   |   |
|---|--|---|---|---|---|
|  | <b>KF 9501</b>   |  |  |  |  |
|   | <ul style="list-style-type: none"><li>• 1.5-50 mm<sup>2</sup>, Cu/Alu 3~</li></ul> |   |   |   |   |

Toxic behaviour

halogen-free  
silicone-free  
"halogen-free" in accordance with the examination of the cables and insulated wires - corrosiveness of fumes - as per IEC 754-2

Note:

For material properties see technical data.