


Cable junction boxes for "offshore applications"



KD 5355

- 16-35 mm², Cu 3~

IP
66/67

IP
66/67

PC

RAL
9011

RAL
9011

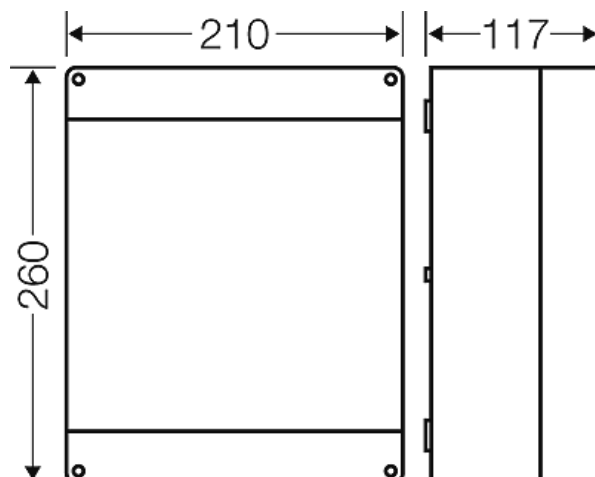
15
13 Wall 13
15

- with terminals
- 5-pole per pole 6 x 16 mm² s, 4 x 25 mm² s, 4 x 35 mm² s, 2 x 50 mm² s
- cable entry via knockouts, order ASS separately (refer to index cable entry systems)
- "Offshore applications"
- saltwater-proof
- acid-resistant lid screws made of stainless steel
- burning behaviour 960° C; UL Subject 94: 5 V
- colour: black, RAL 9011


rated insulation voltage	AC/DC 690 V
current carrying capacity	125 A
tightening torque for terminal	12,0 Nm
Degree of protection:	IP 66 / IP 67 temporary submersion up to 1 meter, max. 15 minutes
Material:	impact-resistant PC 5 polycarbonate
width	210 mm
height:	260 mm
depth	117 mm
Weight	2,165 kg
in accordance with	IEC 60 670-22

Drawings

Dimension drawing



Cable junction boxes for "offshore applications"



KD 5355

- 16-35 mm², Cu 3~

IP
66/67

IP
66/67

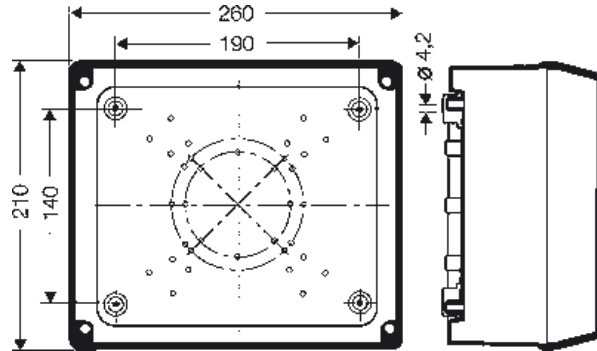
PC

RAL
9011

RAL
9011

15
13 Wall 13
15

Detail mass



box walls




1 x M 20/25
2 x M 40/50

2 x M 25/32
1 x M 40/50

Operating and ambient conditions

Application area	Suitable for use in offshore areas, for indoor installation (normal environment and /or protected outdoor) and outdoor installation (harsh environment and /or outdoor) To reduce the formation and accumulation of condensed water see technical information.
Resistant to occasional cleaning procedures (direct jet)	Resistant to occasional cleaning procedures (direct jet) with high-pressure cleaner without additives, water pressure: max. 100 bar, water temperature: max. 80° C, distance => 0,15 m, in accordance with the requirements IP 69K, enclosure and cable glands at least IP 65
Ambient temperature	Average value over 24 hours + 55 °C Maximum value + 70 °C Minimum value - 25 °C
Relative humidity	50% at 40° C short-time 100% at 25° C
Fire protection in the event of internal faults	Demands placed on electrical devices from standards and laws Minimum requirements - Glow wire test in accordance with IEC 60 695-2-11: - 650°C for boxes and cable glands - 850°C for parts of insulating material necessary to retain current carrying parts in position
Burning behaviour	Glow wire test IEC 60 695-2-11: 960 °C UL Subject 94: 5 V flame resistant self-extinguishing

Cable junction boxes for "offshore applications"




KD 5355

- 16-35 mm², Cu 3~

IP
66/67

IP
66/67

PC



RAL
9011

RAL
9011

15
13 Wall 13
15

Degree of protection against mechanical load	IK08 (5 Joule)
Toxic behaviour	halogen-free silicone-free "halogen-free" in accordance with the examination of the cables and insulated wires - corrosiveness of fumes - as per IEC 754-2
Note:	For material properties see technical data.