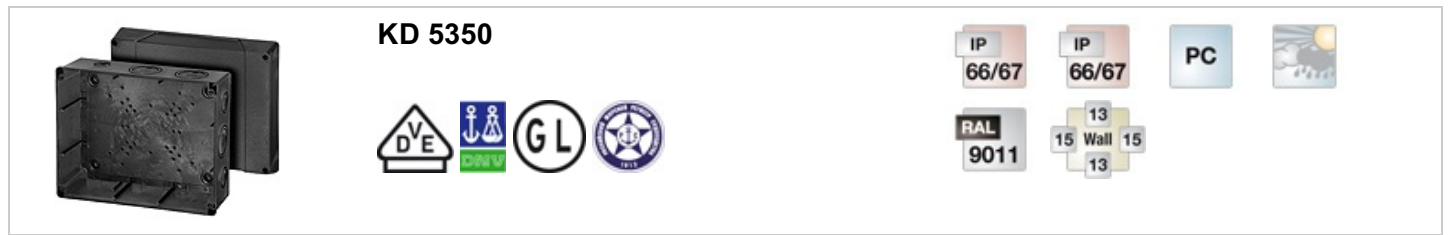


Cable junction boxes for "offshore applications"

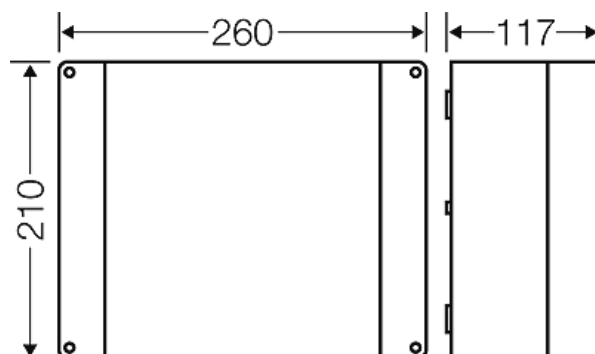


- DISCONTINUED TYPE, replacement type KF 3500 B
- without terminals
- Cable entries via knockouts, order ASS separately (see cable entry systems LES)
- "Offshore applications"
- saltwater-proof
- acid-resistant lid screws made of stainless steel
- burning behaviour 960° C; UL Subject 94: 5 V
- colour: black, RAL 9011

Degree of protection:	IP 66 / IP 67 temporary submersion up to 1 meter, max. 15 minutes
Material:	impact-resistant PC 5 polycarbonate
mounting width	177 mm
mounting height	240 mm
max. installation depth	88 mm
width	210 mm
height:	260 mm
depth	117 mm
Weight	1,144 kg
in accordance with	IEC 60 670-22
in accordance with	Det Norske Veritas Certificate No. E-13277 Germanischer Lloyd Certificate No.: 12 941 - 11 HH Russian Maritime Register of Shipping, technical documentation is approved by the letter No. 250-011-2-39

Drawings

Dimension drawing



Cable junction boxes for "offshore applications"



**KD 5350**



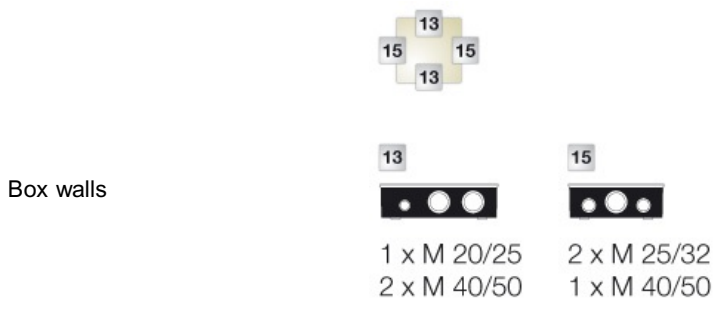
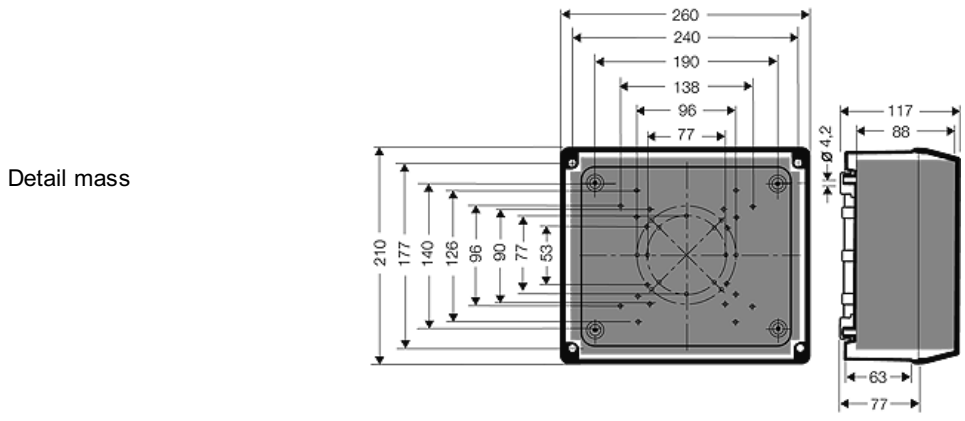
IP  
66/67

IP  
66/67

PC





**Operating and ambient conditions**

Application area	Suitable for use in offshore areas, for indoor installation (normal environment and /or protected outdoor) and outdoor installation (harsh environment and /or outdoor) To reduce the formation and accumulation of condensed water see technical information.
Resistant to occasional cleaning procedures (direct jet)	Resistant to occasional cleaning procedures (direct jet) with high-pressure cleaner without additives, water pressure: max. 100 bar, water temperature: max. 80° C, distance => 0,15 m, in accordance with the requirements IP 69K, enclosure and cable glands at least IP 65
Ambient temperature	Average value over 24 hours + 55 °C Maximum value + 70 °C Minimum value - 25 °C
Fire protection in the event of internal faults	Demands placed on electrical devices from standards and laws Minimum requirements - Glow wire test in accordance with IEC 60 695-2-11: - 650°C for boxes and cable glands - 850°C for parts of insulating material necessary to retain current carrying parts in position
Burning behaviour	Glow wire test IEC 60 695-2-11: 960 °C UL Subject 94: 5 V flame-retardant self-extinguishing

Cable junction boxes for "offshore applications"



**KD 5350**



IP  
66/67

IP  
66/67

PC



RAL  
9011

13
15 Wall 15
13

Degree of protection against mechanical load

IK08 (5 Joule)

Toxic behaviour

halogen-free  
silicone-free  
"halogen-free" in accordance with the examination of the cables and insulated wires - corrosiveness of fumes - as per IEC 60 754-2

Note:

For material properties see technical data.