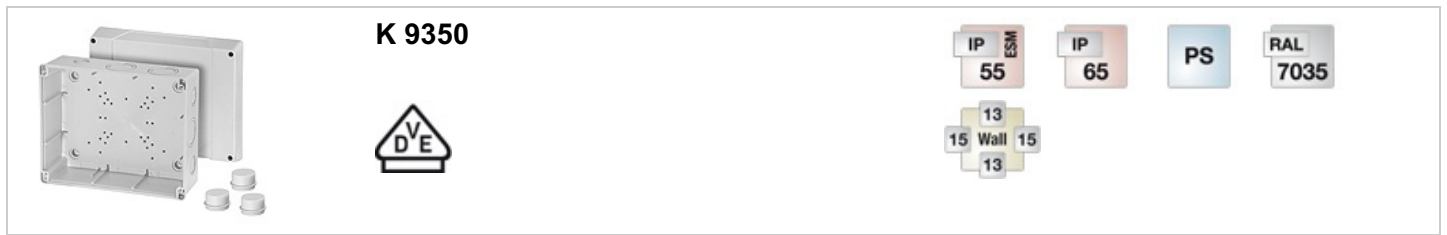


Cable junction boxes for normal environment and protected outdoor

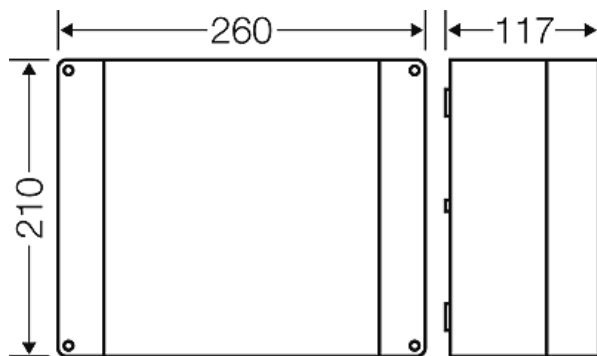


- without terminals
- included cable entry: 3 ESM 40, sealing range Ø 17-30 mm
- for normal environment and protected outdoor
- colour: grey, RAL 7035

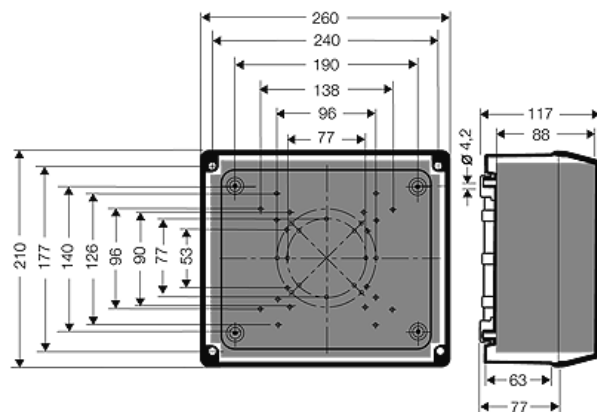
|                         |  |
|-------------------------|--|
| Degree of protection:   | IP 55 (ESM)                                |
| Degree of protection:   | (refer to index cable entry systems) IP 65 |
| Material:               | PS polystyrene thermoplastic               |
| mounting width          | 240 mm                                     |
| mounting height         | 177 mm                                     |
| max. installation depth | 88 mm                                      |
| width                   | 210 mm                                     |
| height:                 | 260 mm                                     |
| depth                   | 117 mm                                     |
| Weight                  | 0,937 kg                                   |
| in accordance with      | IEC 60 670-22                              |

Drawings

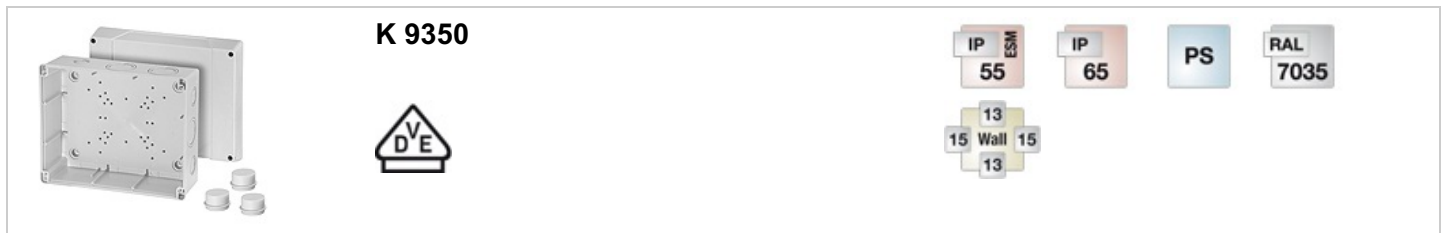
Dimension drawing



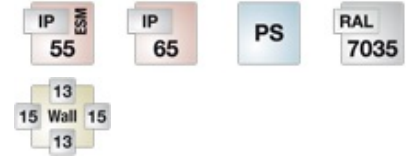
Detail mass



Cable junction boxes for normal environment and protected outdoor



K 9350



box walls

13



1 x M 20/25  
2 x M 40/50

15



2 x M 25/32  
1 x M 40/50

Operating and ambient conditions

|  |   |
|--|---|
| Application area   | Suitable for indoor installation and outdoor installation, protected against weather influences   |
| Resistant to occasional cleaning procedures (direct jet) | Resistant to occasional cleaning procedures (direct jet) with high-pressure cleaner without additives, water pressure: max. 100 bar, water temperature: max. 80° C, distance => 0,15 m, in accordance with the requirements IP 69K, enclosure and cable glands at least IP 65 |
| Ambient temperature                                      | Maximum value + 40 °C<br>Minimum value - 25 °C  |
| Fire protection in the event of internal faults          | Demands placed on electrical devices from standards and laws<br>Minimum requirements - Glow wire test in accordance with IEC 60 695-2-11: - 650°C for boxes and cable glands - 850°C for parts of insulating material necessary to retain current carrying parts in position  |
| Burning behaviour  | Glow wire test IEC 60 695-2-11: 750 °C<br>UL Subject 94: V-2<br>flame resistant<br>self-extinguishing   |
| Degree of protection against mechanical load             | IK07 (2 Joule)  |
| Toxic behaviour  | halogen-free<br>silicone-free<br>"halogen-free" in accordance with the examination of the cables and insulated wires - corrosiveness of fumes - as per IEC 754-2  |
| Note:  | For material properties see technical data.   |