

Cable junction boxes "Outdoor - harsh environment and (or) outdoor"

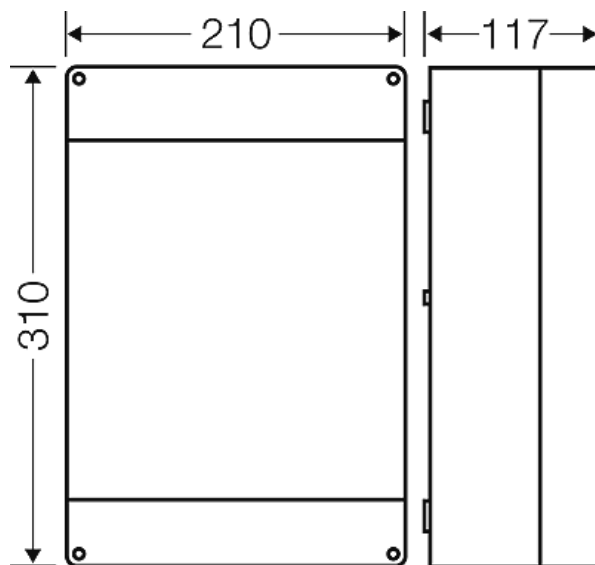


- DISCONTINUED TYPE, replacement type KF 5000 B
- without terminals
- Cable entries via knockouts, order ASS separately (see cable entry systems LES)
- "weatherproof" resistant to weather influences(UV due to solar radiation, protected against rainwater, temperatur resistant, impact resistant, etc.)
- colour: black, RAL 9011

mounting width	180 mm
mounting height	280 mm
max. installation depth	88 mm
width	210 mm
height:	310 mm
depth	117 mm
Weight	1,29 kg
Degree of protection:	IP 66
Material:	PC-GFS (polycarbonate)
in accordance with	IEC 60 670-22
in accordance with	Det Norske Veritas Certificate No.: E-13276 Germanischer Lloyd Certificate No.: 12 941 - 11 HH Russian Maritime Register of Shipping, technical documentation is approved by the letter No. 250-011-2-39

Drawings

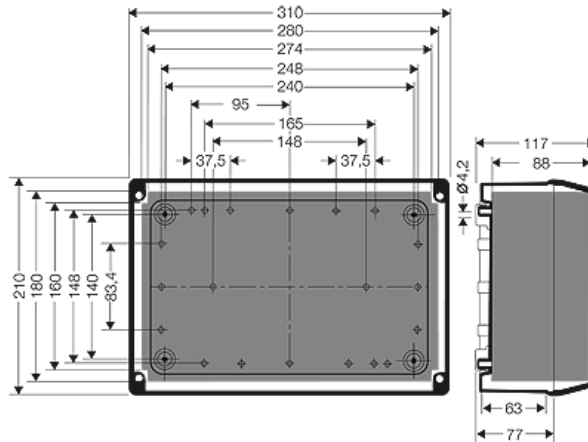
Dimension drawing



Cable junction boxes "Outdoor - harsh environment and (or) outdoor"



Detail mass



Box walls



1 x M 20/25  
1 x M 25/32  
1 x M 40/50

4 x M 25/32  
1 x M 40/50

**Operating and ambient conditions**

Application area	Suitable for outdoor installation (harsh environment and/or outdoor). To reduce the formation and accumulation of condensed water see technical information.
Resistant to occasional cleaning procedures (direct jet)	Resistant to occasional cleaning procedures (direct jet) with high-pressure cleaner without additives, water pressure: max. 100 bar, water temperature: max. 80° C, distance => 0,15 m, in accordance with the requirements IP 69K, enclosure and cable glands at least IP 65
Ambient temperature	Average value over 24 hours + 55 °C Maximum value + 70 °C Minimum value - 25 °C
Fire protection in the event of internal faults	Demands placed on electrical devices from standards and laws Minimum requirements - Glow wire test in accordance with IEC 60 695-2-11: - 650°C for boxes and cable glands - 850°C for parts of insulating material necessary to retain current carrying parts in position
Burning behaviour	Glow wire test IEC 60 695-2-11: 960 °C UL Subject 94: V-0 flame-retardant self-extinguishing

Cable junction boxes "Outdoor - harsh environment and (or) outdoor"

	<p><b>KF 5500</b></p>					
---	-----------------------	---	---	---	---	---

Degree of protection against mechanical load

IK08 (5 Joule)

Toxic behaviour

halogen-free  
silicone-free  
"halogen-free" in accordance with the examination of the cables and insulated wires - corrosiveness of fumes - as per IEC 60 754-2

Note:

For material properties see technical data.