

Cable junction box "waterproof" for encapsulating

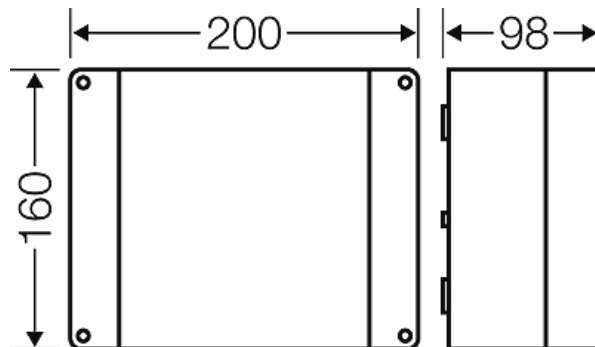


- without terminals
- cable entry via knockouts, order ASS separately (refer to index cable entry systems)
- "Outdoor - harsh environment and (or) outdoor"
- colour: black, RAL 9011

Degree of protection:	IP 66
Material:	PC-GFS (polycarbonate)
mounting width	173 mm
mounting height	133 mm
max. installation depth	79 mm
width	200 mm
height:	160 mm
depth	98 mm
Weight	0,507 kg
in accordance with	IEC 60 670-22
in accordance with	Det Norske Veritas Certificate No.: E-9149 Germanischer Lloyd Certificate No.: 12 941 - 11 HH Russian Maritime Register of Shipping, technical documentation is approved by the letter No. 250-011-2-39

Drawings

Dimension drawing



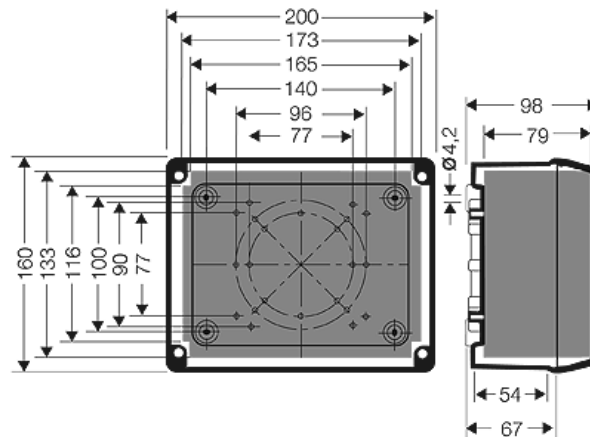
Cable junction box "waterproof" for encapsulating



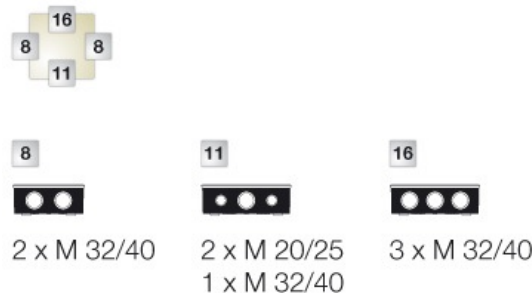
KF 5250



Detail mass



box walls



Operating and ambient conditions

Application area	Suitable for outdoor installation (harsh environment and/or outdoor). To reduce the formation and accumulation of condensed water see technical information.
Resistant to occasional cleaning procedures (direct jet)	Resistant to occasional cleaning procedures (direct jet) with high-pressure cleaner without additives, water pressure: max. 100 bar, water temperature: max. 80° C, distance => 0,15 m, in accordance with the requirements IP 69K, enclosure and cable glands at least IP 65
Ambient temperature	Average value over 24 hours + 55 °C Maximum value + 70 °C Minimum value - 25 °C
Fire protection in the event of internal faults	Demands placed on electrical devices from standards and laws Minimum requirements - Glow wire test in accordance with IEC 60 695-2-11: - 650°C for boxes and cable glands - 850°C for parts of insulating material necessary to retain current carrying parts in position
Burning behaviour	Glow wire test IEC 60 695-2-11: 960 °C UL Subject 94: V-0 flame resistant self-extinguishing

Cable junction box "waterproof" for encapsulating



Degree of protection against mechanical load

IK08 (5 Joule)

Toxic behaviour

halogen-free
silicone-free
"halogen-free" in accordance with the examination of the cables and insulated wires - corrosiveness of fumes - as per IEC 754-2

Note:

For material properties see technical data.