


Cable junction boxes for normal environment and protected outdoor



**K 9505**

- 16-50 mm<sup>2</sup>, Cu 3~

IP ESM  
55

IP  
65

PS

RAL  
7035

12

17 Wall 17

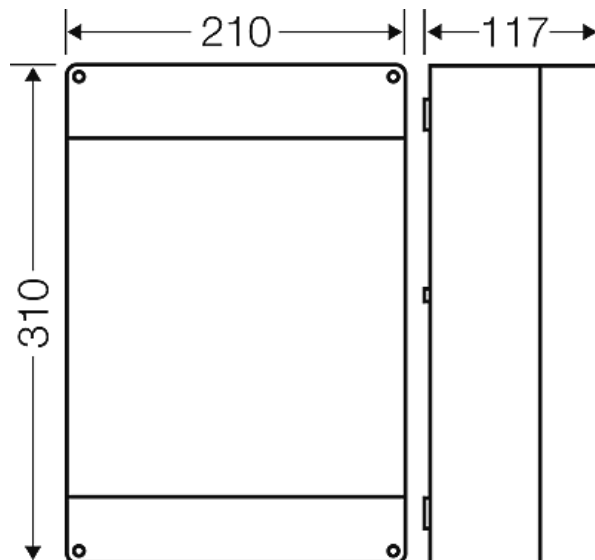
12

- with terminals
- 5-pole per pole 6 x 16 mm<sup>2</sup> s, 4 x 25 mm<sup>2</sup> s, 4 x 35 mm<sup>2</sup> s, 4 x 50 mm<sup>2</sup> s
- cable entry via knockouts, order AKM/ASM separately (refer to index cable entry systems)
- for normal environment and protected outdoor
- colour: grey, RAL 7035


rated insulation voltage	AC/DC 690 V
current carrying capacity	150 A
tightening torque for terminal	12,0 Nm
Degree of protection:	IP 55 (ESM)
Degree of protection:	(refer to index cable entry systems) IP 65
Material:	PS polystyrene thermoplastic
width	210 mm
height:	310 mm
depth	117 mm
Weight	2,34 kg

Drawings

Dimension drawing



Cable junction boxes for normal environment and protected outdoor



**K 9505**

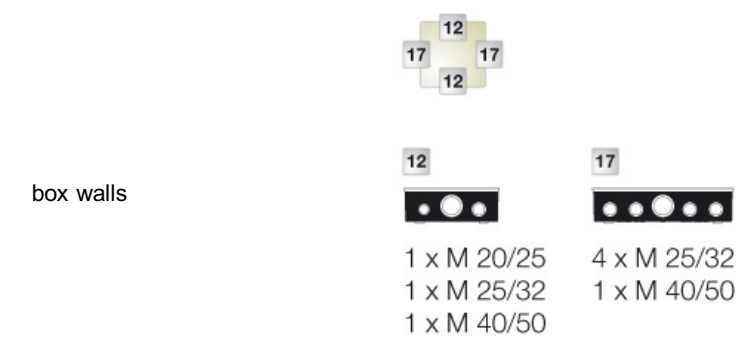
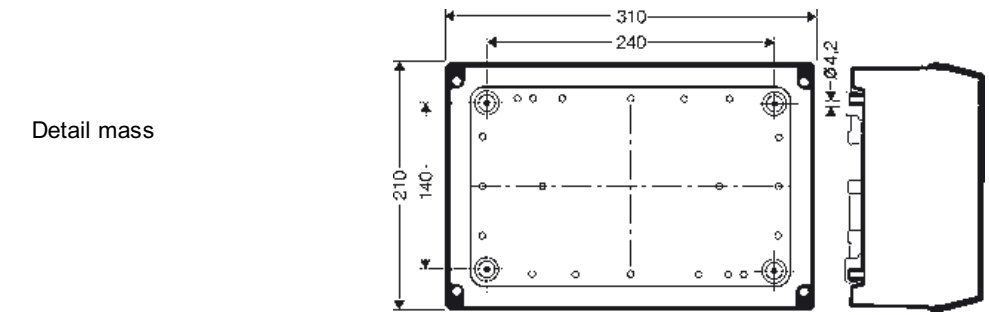
- 16-50 mm<sup>2</sup>, Cu 3~

IP ESM  
55

IP  
65

PS


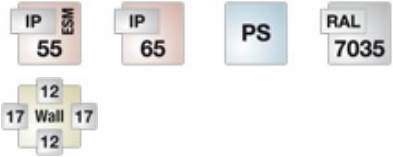
RAL  
7035



**Operating and ambient conditions**

Application area	Suitable for indoor installation and outdoor installation, protected against weather influences
Resistant to occasional cleaning procedures (direct jet)	Resistant to occasional cleaning procedures (direct jet) with high-pressure cleaner without additives, water pressure: max. 100 bar, water temperature: max. 80° C, distance => 0,15 m, in accordance with the requirements IP 69K, enclosure and cable glands at least IP 65
Ambient temperature	Average value over 24 hours + 35 °C Maximum value + 40 °C Minimum value - 25 °C
Relative humidity	50% at 40° C short-time 100% at 25° C
Fire protection in the event of internal faults	Demands placed on electrical devices from standards and laws Minimum requirements - Glow wire test in accordance with IEC 60 695-2-11: - 650°C for boxes and cable glands - 850°C for parts of insulating material necessary to retain current carrying parts in position
Burning behaviour	Glow wire test IEC 60 695-2-11: 750 °C UL Subject 94: V-2 flame resistant self-extinguishing
Degree of protection against mechanical load	IK07 (2 Joule)
Toxic behaviour	halogen-free silicone-free

Cable junction boxes for normal environment and protected outdoor

	<p><b>K 9505</b></p> <ul style="list-style-type: none"><li>• 16-50 mm<sup>2</sup>, Cu 3~</li></ul>	
---	--	---

"halogen-free" in accordance with the examination of the cables and insulated wires - corrosiveness of fumes - as per IEC 754-2

Note: For material properties see technical data.