


Cable junction boxes for normal environment and protected outdoor



K 9504

- 16-50 mm², Cu 3~

IP ESM
55

IP
65

PS

RAL
7035

12

17 Wall 17

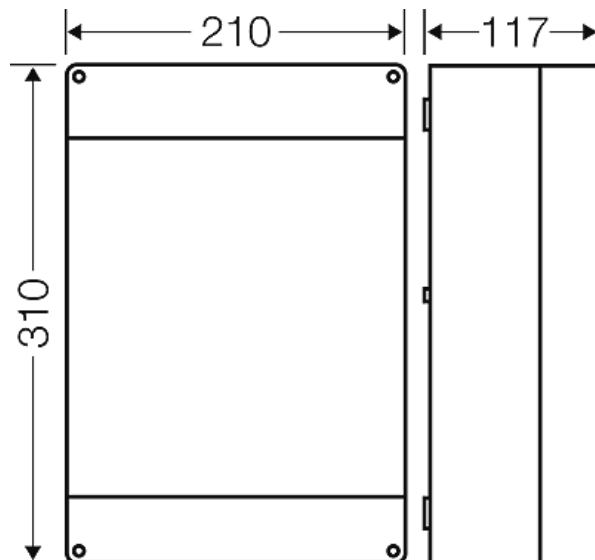
12

- with terminals
- 4-pole per pole 6 x 16 mm² s, 4 x 25 mm² s, 4 x 35 mm² s, 4 x 50 mm² s
- cable entry via knockouts, order AKM/ASM separately (refer to index cable entry systems)
- for normal environment and protected outdoor
- colour: grey, RAL 7035


rated insulation voltage	AC/DC 690 V
current carrying capacity	150 A
tightening torque for terminal	12,0 Nm
Degree of protection:	IP 55 (ESM)
Degree of protection:	(refer to index cable entry systems) IP 65
Material:	PS polystyrene thermoplastic
width	210 mm
height:	310 mm
depth	117 mm
Weight	2,185 kg

Drawings

Dimension drawing



Cable junction boxes for normal environment and protected outdoor



K 9504

- 16-50 mm², Cu 3~

IP ESM
55

IP
65

PS

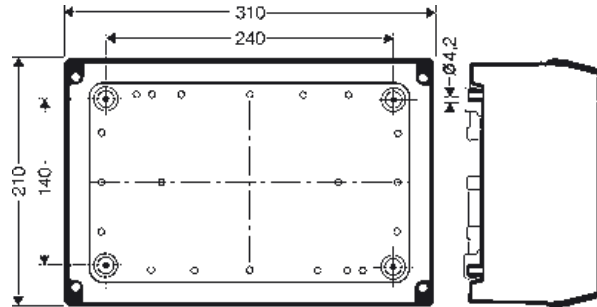
RAL
7035

12

17 Wall 17

12

Detail mass



box walls




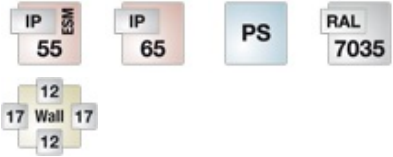
1 x M 20/25
1 x M 25/32
1 x M 40/50

4 x M 25/32
1 x M 40/50

Operating and ambient conditions

Application area	Suitable for indoor installation and outdoor installation, protected against weather influences
Resistant to occasional cleaning procedures (direct jet)	Resistant to occasional cleaning procedures (direct jet) with high-pressure cleaner without additives, water pressure: max. 100 bar, water temperature: max. 80° C, distance => 0,15 m, in accordance with the requirements IP 69K, enclosure and cable glands at least IP 65
Ambient temperature	Average value over 24 hours + 35 °C Maximum value + 40 °C Minimum value - 25 °C
Relative humidity	50% at 40° C short-time 100% at 25° C
Fire protection in the event of internal faults	Demands placed on electrical devices from standards and laws Minimum requirements - Glow wire test in accordance with IEC 60 695-2-11: - 650°C for boxes and cable glands - 850°C for parts of insulating material necessary to retain current carrying parts in position
Burning behaviour	Glow wire test IEC 60 695-2-11: 750 °C UL Subject 94: V-2 flame resistant self-extinguishing
Degree of protection against mechanical load	IK07 (2 Joule)
Toxic behaviour	halogen-free silicone-free

Cable junction boxes for normal environment and protected outdoor

	<p>K 9504</p> <ul style="list-style-type: none">• 16-50 mm², Cu 3~	
---	--	---

"halogen-free" in accordance with the examination of the cables and insulated wires - corrosiveness of fumes - as per IEC 754-2

Note: For material properties see technical data.