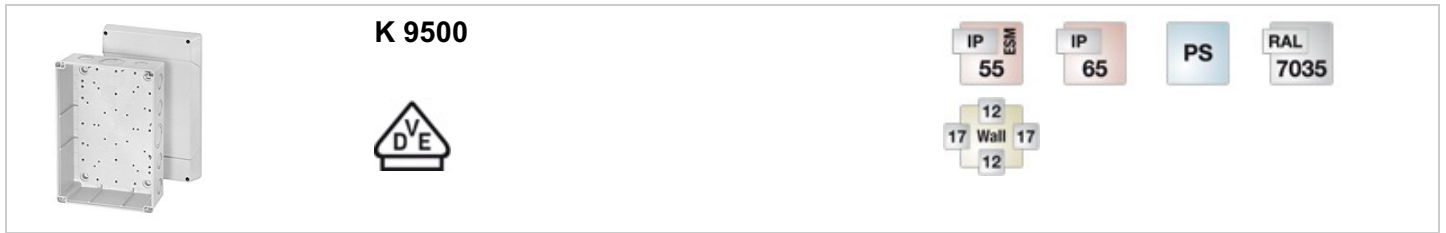


Cable junction boxes for harsh environment and (or) outdoor installation with box walls without cable entries

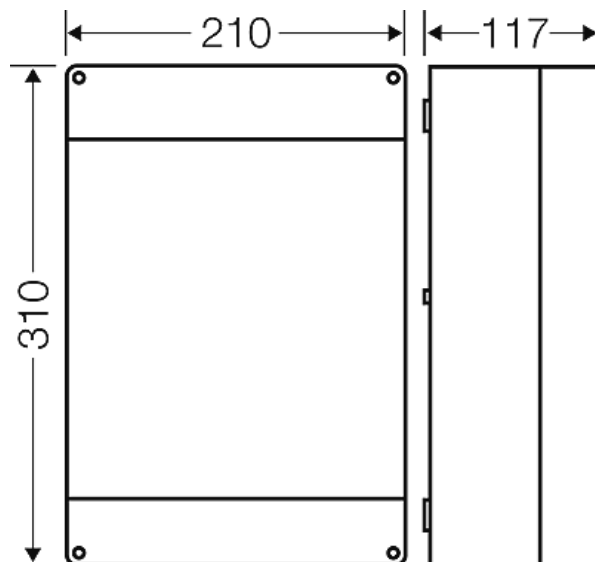


- without terminals
- cable entry via knockouts, order AKM/ASM separately (refer to index cable entry systems)
- for normal environment and protected outdoor
- colour: grey, RAL 7035

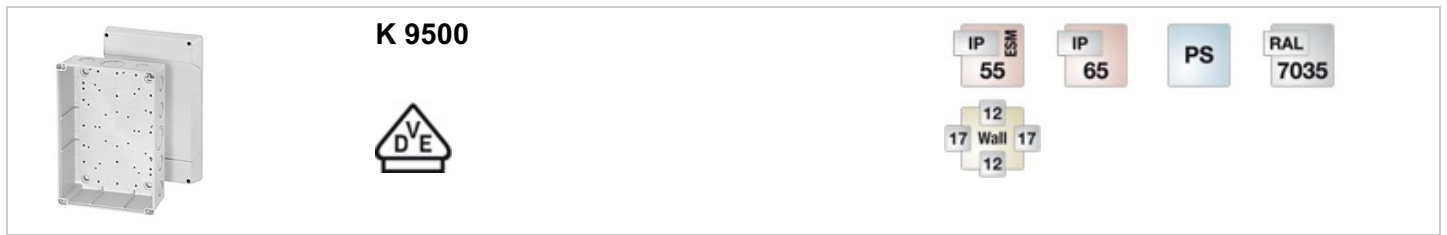
Degree of protection:	IP 55 (ESM)
Degree of protection:	(refer to index cable entry systems) IP 65
Material:	PS polystyrene thermoplastic
mounting width	280 mm
mounting height	180 mm
max. installation depth	88 mm
width	210 mm
height:	310 mm
depth	117 mm
Weight	1,313 kg
in accordance with	IEC 60 670-22

Drawings

Dimension drawing



Cable junction boxes for harsh environment and (or) outdoor installation with box walls without cable entries



K 9500



IP ESH
55

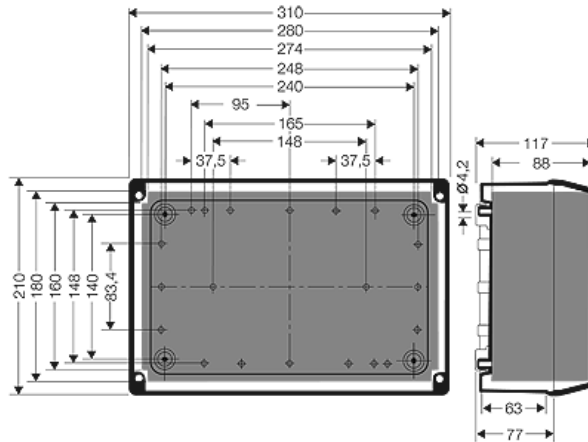
IP
65

PS

RAL
7035



Detail mass



box walls



12



1 x M 20/25
1 x M 25/32
1 x M 40/50

17



4 x M 25/32
1 x M 40/50

Operating and ambient conditions

Application area	Suitable for indoor installation and outdoor installation, protected against weather influences
Resistant to occasional cleaning procedures (direct jet)	Resistant to occasional cleaning procedures (direct jet) with high-pressure cleaner without additives, water pressure: max. 100 bar, water temperature: max. 80° C, distance => 0,15 m, in accordance with the requirements IP 69K, enclosure and cable glands at least IP 65
Ambient temperature	Maximum value + 40 °C Minimum value - 25 °C
Fire protection in the event of internal faults	Demands placed on electrical devices from standards and laws Minimum requirements - Glow wire test in accordance with IEC 60 695-2-11: - 650°C for boxes and cable glands - 850°C for parts of insulating material necessary to retain current carrying parts in position
Burning behaviour	Glow wire test IEC 60 695-2-11: 750 °C UL Subject 94: V-2 flame resistant self-extinguishing
Degree of protection against mechanical load	IK07 (2 Joule)
Toxic behaviour	halogen-free silicone-free

Cable junction boxes for harsh environment and (or) outdoor installation with box walls without cable entries

	K 9500				

"halogen-free" in accordance with the examination of the cables and insulated wires - corrosiveness of fumes - as per IEC 754-2

Note:

For material properties see technical data.