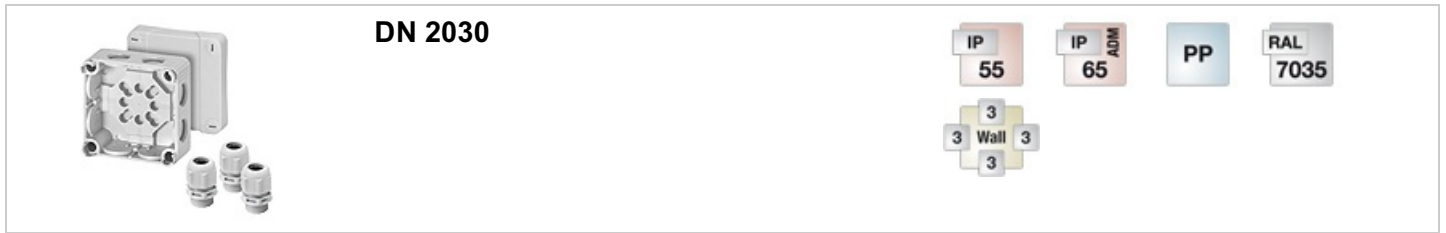


Cable junction boxes with elastic membrane and thread M 20

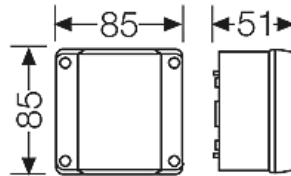


- without terminals
- cable entry via elastic membranes and integrated M 20 thread
- 8 elastic membranes, closed, sealing range Ø 3-12 mm
- included cable entry: 3 ADM 20, sealing range Ø 6,5-13,5 mm
- colour: grey, RAL 7035

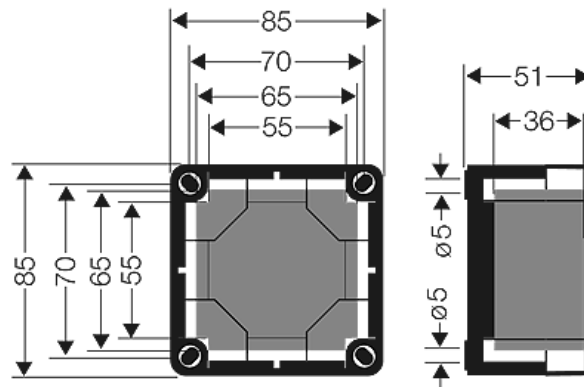
Degree of protection:	IP 55
Degree of protection:	IP 65 (ADM)
Material:	PP (polypropylene)
mounting width	70 mm
mounting height	70 mm
max. installation depth	36 mm
width	85 mm
height:	85 mm
depth	51 mm
Weight	0,122 kg

Drawings

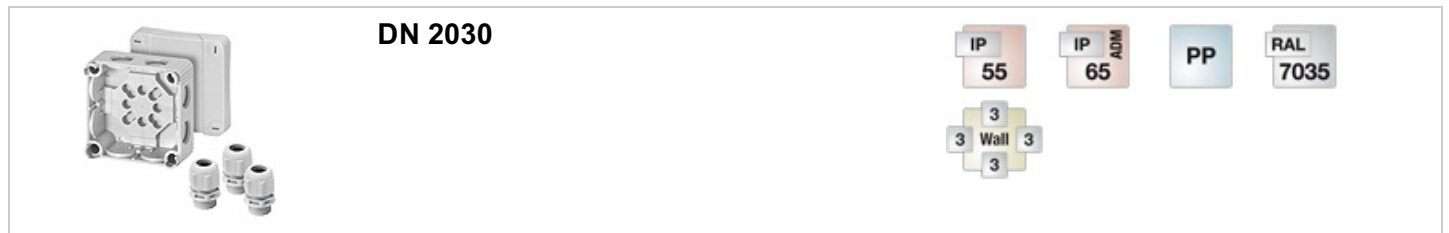
Dimension drawing



Detail mass



Cable junction boxes with elastic membrane and thread M 20



DN 2030



box walls



2 x M 20

Operating and ambient conditions

Application area	Suitable for indoor installation and outdoor installation, protected against weather influences
Resistant to occasional cleaning procedures (direct jet)	Resistant to occasional cleaning procedures (direct jet) with high-pressure cleaner without additives, water pressure: max. 100 bar, water temperature: max. 80° C, distance => 0,15 m, in accordance with the requirements IP 69K, enclosure and cable glands at least IP 65
Ambient temperature	Maximum value + 40 °C Minimum value - 25 °C
Fire protection in the event of internal faults	Demands placed on electrical devices from standards and laws Minimum requirements - Glow wire test in accordance with IEC 60 695-2-11: - 650°C for boxes and cable glands - 850°C for parts of insulating material necessary to retain current carrying parts in position
Burning behaviour	Glow wire test IEC 60 695-2-11: 750 °C UL Subject 94: V-2 flame resistant self-extinguishing
Degree of protection against mechanical load	IK07 (2 Joule)
Toxic behaviour	halogen-free silicone-free "halogen-free" in accordance with the examination of the cables and insulated wires - corrosiveness of fumes - as per IEC 754-2
Note:	For material properties see technical data.